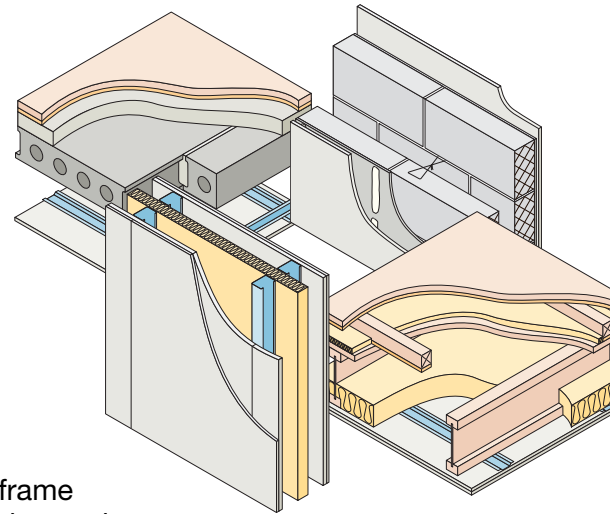


## June 2017 Update Pack



Dear Colleague,

Things have been moving on apace in the reinforced concrete frame world, and we are pleased to announce an important new addition to the E-FC-18 and E-WS-5 Details that were themselves published just 4 months ago.

E-FC-18 was introduced with a floating screed, which as well as providing the impact resistance to the floor, also shields the joint at the base of the separating wall against noise leakage. Now testing on E-WS-5 has proven that with the appropriate sealing, the wall provides the required acoustic performance when used in conjunction with a bonded resilient floor covering where the base joint is no longer shielded. This means users of E-FC-18 have the option to apply a bonded resilient floor covering and still register for E-WS-5.

A knock-on benefit of this is that E-WS-5 can now be used in combination with the reinforced concrete frame E-FC-10 – so for the first time, this floor type can be used as part of a complete wall+floor **robust**details® solution.

Also in this June update, the Stewart Milne single-leaf spandrel system (for use on timber frame separating walls) is a new addition to Appendix A2; and on a similar theme, SIG RoofSpace I-Roof can now accept a full cavity fill, allowing a zero U-value to be claimed for the associated separating walls where this is required.

As usual, don't forget that if you still have a hardcopy Handbook, please feel free to print off this pack (double-sided if you can), and insert the pages in your Handbook as described below.

### **Please update your April 2017, 4th Edition Handbook as follows:**

1. Remove and replace all pages of the Introduction.
2. Remove and replace just pages 7-8 and 9-10 of the separating wall E-WS-5.
3. Remove and replace just page 5-6 of the separating floor E-FC-5.
4. Remove and replace all pages of the separating floor E-FC-18.
5. Remove and replace all pages of Appendix A2.

Yours sincerely

A handwritten signature in black ink, appearing to read 'John Tebbit', written over a light blue horizontal line.

**John Tebbit**

Chief Executive,  
Robust Details Limited





# Changes to the fourth edition following June 2017 update

---

Section	Page	Amendment
<b>Introduction</b>		
Table 2	5	Description of E-FC-18 amended to include bonded resilient floor covering.
Table 3c	7	2nd bullet point of Note 1 amended to clarify floating floor requirement. Note 2 added to Key, and applied to E-WS-2 in combination with E-FC-18. E-WS-5 now allowed in combination with E-FC-10.
Table 4	8	Wording of Note F4 amended to include floor treatment requirement.
Table 6a	9-10	Stewart Milne Sigma® Roof Spandrel Panel System added.

Section	Page	Amendment
<b>Appendix A2</b>		
Contents	1	Stewart Milne Sigma® Roof Spandrel Panel System added.
RoofSpace I-Roof	7	Cavity insulation option added.
Stewart Milne Sigma® Roof Spandrel Panel System	9	New proprietary single leaf spandrel panel added.

## Separating Wall – Steel

### E-WS-5

---

Separating floor junction	8	New diagram 9.2 added covering bonded resilient layer option.
Diagrams 10-13	8-10	Diagrams moved to make space for 9.2 (above).

## Separating Floor – Concrete

### E-FC-5

---

Contact details	6	Contact numbers for Collecta updated.
-----------------	---	---------------------------------------

### E-FC-18

---

Bullet points	1	Bonded resilient floor covering option added to 3rd bullet point.
Isometric	1	Bonded resilient floor covering option added to specification.
Resilient layer systems box	1	Heading changed to “Under-screed” Resilient Layer systems”.
Do box	1	Heading changed to “When using under-screed resilient layer systems”. Bullet point text adjusted.
Bonded Resilient floor coverings box	1	New box added referring to bonded resilient floor coverings requirements.
Diagram 8	5	New section added to cover bonded resilient floor covering requirements.
Diagrams 8-10	5-7	Diagrams moved and renumbered to make space for the new section 8 (above).
Diagram 9	6	New UFH diagram added to show bonded resilient floor covering option.



This Handbook contains the separating wall and separating floor constructions that have achieved the status of Robust Details for Part E of the Building Regulations (England and Wales) and Part G of the Building Regulations (Northern Ireland), “Resistance to the passage of sound”.

The Robust Details have undergone an extensive sound insulation testing regime, robust design analysis and independent audit and have satisfied the Robust Details Limited Management Board that they should provide a level of sound insulation compliant with Part E (England and Wales) and Part G (Northern Ireland).

The use of the **robustdetails**<sup>®</sup> scheme provides an alternative to pre-completion testing for demonstrating compliance with the performance standards for new build dwellings. Every dwelling built using the **robustdetails**<sup>®</sup> scheme needs to be registered with Robust Details Limited and a plot registration fee paid. Further information on the scheme (including how to apply for new Robust Details) is available on the Robust Details Limited web site at:

[www.robustdetails.com](http://www.robustdetails.com)

or from:

Robust Details Limited  
Block E  
Bletchley Park Science and Innovation Centre  
Milton Keynes  
Buckinghamshire  
MK3 6EB

Telephone: 03300 882140 - Technical  
03300 882141 - General

Fax: 01908 363433

Each Robust Detail includes materials and construction details for the separating wall/floor and its key interfaces with other elements and should be read in conjunction with Appendix A. The final page of each Robust Detail is a checklist, which should be photocopied and used by the site manager/supervisor to confirm that the separating wall/floor has been built correctly. The building control body may ask to see the checklist.

It is important that separating walls/floors and their associated junctions and flanking conditions are constructed entirely in accordance with the relevant Robust Detail; otherwise the building control body may require pre-completion testing to be carried out.

The tables on pages 5, 6 and 7 show which **robustdetails**<sup>®</sup> separating floors and walls can be used in flats/apartments.

**Note:**

The contents of this Handbook relate only to compliance with specific aspects of Part E (England and Wales) and Part G (Northern Ireland). Building work will also have to comply with all other relevant legislation and Parts of the Building Regulations.

Where sound testing is required on a wall or floor, the user should seek expert acoustic advice prior to construction commencing.

**Terms and Conditions:**

Please refer to [www.robustdetails.com](http://www.robustdetails.com) for full terms and conditions.

®: UK registered trade mark no. 2291665

© Robust Details Limited 2011. All rights reserved. No part of this Handbook (other than the checklists) may be reproduced in any material form or issued or communicated to the public (including photocopying or storing it in any medium by electronic means, and whether or not transiently or incidentally to some other use of this Handbook) without the prior written permission of Robust Details Limited except in accordance with the provisions of the Copyright, Designs and Patents Act 1988.

Warning: the doing of an unauthorised act in relation to a copyright work may result in both a civil claim for damages and criminal prosecution.

## Introduction

### Special note for Robust Details constructed in Northern Ireland

Members of an expert panel convened to advise NI Government on the subject, consider that the following Robust Details will integrate most readily with NI standards and methods of construction.

Other Robust Details may be suitable for use in NI, however, it is recommended that Building Control be consulted to ensure full compatibility with other NI Regulations and Standards.

Masonry walls	E-WM-1	Concrete floors	E-FC-1	
	E-WM-2		E-FC-2	
	E-WM-3		E-FC-4	
	E-WM-4		E-FC-5	
	E-WM-11		E-FC-6	
	E-WM-16		E-FC-8	
	E-WM-18		E-FC-9	
	E-WM-19		E-FC-10	
	E-WM-21		E-FC-11	
	E-FC-12			
	E-FC-13			
	E-FC-14			
Timber walls	E-WT-1			
	E-WT-2			
	E-WT-4			
Timber floors	E-FT-1			
	E-FT-2			
	E-FT-3			
	E-FT-5			
	E-FT-6			
Steel floors	E-FS-1			

Note:

Refer to Tables 3a, 3b and 3c in the Introduction for valid combinations of the Robust Details walls and floors.

# Introduction

## List of Robust Details

Table 1 – Separating walls

E-WM-1	masonry – dense aggregate blockwork (wet plaster)
E-WM-2	masonry – lightweight aggregate blockwork (wet plaster)
E-WM-3	masonry – dense aggregate blockwork (render and gypsum-based board)
E-WM-4	masonry – lightweight aggregate blockwork (render and gypsum-based board)
E-WM-5	masonry – Besblock “Star Performer” cellular blockwork (render and gypsum-based board)
E-WM-6	masonry – aircrete blockwork (render and gypsum-based board)
E-WM-7	Suspended from further registrations
E-WM-8	masonry – lightweight aggregate blockwork Saint Gobain – Isover RD35 (gypsum-based board)
E-WM-9	masonry – solid dense aggregate blockwork (render and gypsum-based board)
E-WM-10	masonry – aircrete thin joint blockwork with specified wall ties (render and gypsum-based board finish)
E-WM-11	masonry – lightweight aggregate blockwork (render and gypsum-based board) with 100mm minimum cavity
E-WM-12	masonry – Plasmor “Aglite Ultima” lightweight aggregate blockwork (render and gypsum-based board)
E-WM-13	masonry – aircrete thin joint - untied blockwork (render and gypsum-based board)
E-WM-14	masonry – lightweight aggregate blockwork Saint Gobain – Isover RD35 (gypsum-based board) with 100mm minimum cavity
E-WM-15	masonry – aircrete blockwork Saint Gobain - Isover RD35 (gypsum-based board)
E-WM-16	masonry – dense aggregate blockwork (render and gypsum-based board) with 100mm minimum cavity
E-WM-17	masonry – lightweight aggregate blockwork Saint Gobain-Isover RD Party Wall Roll (gypsum-based board)
E-WM-18	masonry – dense aggregate blockwork (wet plaster) with 100mm minimum cavity
E-WM-19	masonry – dense or lightweight aggregate blockwork (render and gypsum-based board) with 100mm minimum cavity and MONARFLOOR® BRIDGESTOP® system
E-WM-20	masonry – lightweight aggregate blockwork Saint Gobain – Isover RD Party Wall Roll (gypsum-based board) with 100mm minimum cavity
E-WM-21	masonry – lightweight aggregate blockwork (wet plaster) with 100mm minimum cavity
E-WM-22	masonry – lightweight aggregate blockwork – Knauf Earthwool Masonry Party Wall Slab or Superglass Party Wall Roll or URSA Cavity Batt 35 or URSA PARTY WALL ROLL (gypsum-based board) with 100mm minimum cavity
E-WM-23	masonry – aircrete blockwork Superglass Party Wall Roll (gypsum-based board) with 100mm minimum cavity
E-WM-24	masonry – aircrete blockwork Saint Gobain – Isover RD Party Wall Roll (gypsum-based board) with 100mm minimum cavity
E-WM-25	masonry – Porotherm clay blockwork (Ecoparge and gypsum-based board) with 100mm minimum insulated cavity
E-WM-26	masonry – Besblock “Star Performer” cellular blockwork (gypsum-based board) with 100mm minimum insulated cavity
E-WM-27	masonry – lightweight aggregate blockwork Superglass Party Wall Roll (gypsum-based board) with minimum 75mm cavity
E-WM-28	masonry – lightweight aggregate blockwork Knauf Party Wall Wool (gypsum-based board) with minimum 100mm cavity
E-WM-29	masonry – Porotherm clay blockwork (Ecoparge and gypsum-based board) with 75mm minimum insulated cavity
E-WM-30	masonry – aircrete blockwork Knauf Party Wall Wool (gypsum-based board) with 100mm minimum cavity

See over for timber and steel frame walls

# Introduction

---

## List of Robust Details

Table 1 (continued) – Separating walls

E-WT-1	timber frame – without sheathing board
E-WT-2	timber frame – with sheathing board
E-WT-3	timber frame – Elecoframe prefabricated panels
E-WT-4	timber frame – Excel Industries Warmcell 500 insulation - with sheathing board
E-WS-1	steel frame – twin metal frame
E-WS-2	steel frame – British Gypsum Gypwall QUIET IWL
E-WS-3	steel frame – modular steel frame housing
E-WS-4	steel frame – twin metal frame - 250mm between linings
E-WS-5	steel frame – twin metal frame



# Introduction

## List of Robust Details

Table 2 – Separating floors

E-FC-1	precast concrete plank with directly applied screed and floating floor treatment
E-FC-2	in-situ concrete slab and floating floor treatment
E-FC-3	Suspended from further registrations
E-FC-4	precast concrete plank and Thermal Economics IsoRubber system and floating screed
E-FC-5	precast concrete plank and Cellecta Yelofon HD10+ system and floating screed
E-FC-6	beam and block with concrete topping Regupol E48 system and floating screed
E-FC-7	beam and block with concrete topping and floating floor treatment
E-FC-8	precast concrete plank with floating screed and bonded resilient floor covering
E-FC-9	precast concrete plank with directly applied screed and Thermal Economics IsoRubber top bonded resilient floor covering
E-FC-10	in-situ concrete slab with Thermal Economics IsoRubber top bonded resilient floor covering
E-FC-11	precast concrete plank and Icopal-MONARFLOOR® Tranquilt and floating screed
E-FC-12	precast concrete plank and Thermal Economics IsoRubber Base HP3 system and floating screed
E-FC-13	precast concrete plank and InstaCoustic InstaLay 65 system and floating screed
E-FC-14	precast concrete plank and Thermal Economics IsoRubber Code layer and floating screed
E-FC-15	precast concrete plank and Regupol Quietlay layer and floating screed
E-FC-16	precast concrete plank with directly applied screed and Thermal Economics IsoRubber CC3 bonded resilient floor covering
E-FC-17	precast concrete plank and Cellecta YELOfon® HD10+ system and floating screed and Cellecta ULTRA ceiling treatment
E-FC-18	in-situ concrete slab with floating screed or bonded resilient floor covering
E-FT-1	timber I-joists and floating floor treatment
E-FT-2	timber solid joists and floating floor treatment
E-FT-3	MiTek Posi-Joist, Prestoplan PresWeb, WOLF easi-joist, ITW Gang-Nail Ecojoist or ITW Alpine SpaceJoist metal web timber joist and floating floor treatment
E-FT-4	timber Finnjoists with Finnforest Acoustic layer and Gyvlon screed
E-FT-5	Cellecta ScreedBoard® 28 system on timber I-joists
E-FT-6	Cellecta ScreedBoard® 28 system on metal web joists
E-FT-7	timber I-joists and FFT80 floating floor treatment
E-FT-8	timber solid joists and FFT80 floating floor treatment
E-FS-1	steel deck and in-situ concrete and floating floor treatment
E-FS-2	UltraBEAM metal joists and floating floor treatment
E-FS-3	Cellecta ScreedBoard® 28 system on metal joists

# Introduction

Table 3a – Combinations of Robust Details separating walls and floors for flats/apartments in **loadbearing masonry** constructions

Separating walls		Separating floors					
		E-FC-1 E-FC-11 E-FC-12 E-FC-13	E-FC-14 E-FC-15 E-FC-16 E-FC-17	E-FC-4	E-FC-5	E-FC-6 E-FC-7	E-FC-8 E-FC-9 E-FC-10
E-WM-1	E-WM-16	✓		✓	✓	✓	✓
E-WM-3	E-WM-18						
E-WM-2	E-WM-20						
E-WM-4	E-WM-21						
E-WM-5	E-WM-26	✓		✓	✓	F	✓
E-WM-8	E-WM-27						
E-WM-11	E-WM-28						
E-WM-14							
E-WM-6	E-WM-23						
E-WM-10	E-WM-24	F		✓	✓ see note 1	F	✓
E-WM-13	E-WM-30						
E-WM-15							
E-WM-12		F		✓	F	F	F
E-WM-17	E-WM-22	✓ see note 2		✓	✓ see note 2	F	✓ see note 2
E-WM-25	E-WM-29	F		F	F	F	F

**Key**

**F** Only the separating floor requires pre-completion sound testing.

**1** Where this combination is selected, 200mm (min) thick precast concrete planks and ceiling treatment CT5 must be used.

**2** This combination can only be selected where the construction does not include Plasmor Aglite Ultima blocks (1050 kg/m<sup>3</sup>).

**Combining robustdetails® loadbearing masonry walls and floors with robustdetails® lightweight framed separating walls**

Upper storeys of blocks of flats may be constructed using lightweight steel or timber frame, where the lower storeys are loadbearing masonry.

The lightweight separating walls built directly off the uppermost concrete separating floors may be registered as Robust Details provided:

- the lightweight walls are in vertical alignment with the masonry walls below, such that they can follow the principles of the ground floor junction shown for the relevant robustdetails® separating wall;
- the external (flanking) wall construction above the separating floor meets the requirements on page 2 of the relevant robustdetails® separating wall, and has 2 layers of gypsum-based board;
- the junction between the bottom rail (or sole plate) is well sealed;
- all other relevant requirements in the Handbook are strictly followed.

The separating floor may be registered as a Robust Detail provided:

- the floor is constructed in accordance with the requirements of the published Detail;
- the external (flanking) wall below the precast concrete floor satisfies the requirements of detail 1 on page 2 of the relevant robustdetails® separating floor;
- all other relevant requirements in the Handbook are strictly followed.

## Introduction

**Table 3b – Combinations of Robust Details separating walls and floors for flats/apartments in timber frame constructions**

Separating walls	Separating floors	
	E-FT-1 E-FT-2 E-FT-3 E-FT-4 E-FT-5 E-FT-6 E-FT-7 E-FT-8	E-FC-2 E-FC-18 E-FS-1
E-WT-1	✓	W see note 1
E-WT-2	✓	W see note 1
E-WT-3	F	W see note 1
E-WT-4	F	W see note 1

**Table 3c – Combinations of Robust Details separating walls and floors for flats/apartments in reinforced concrete and steel frame constructions**

Separating walls	Separating floors					
	E-FC-2	E-FC-10	E-FC-18	E-FS-1	E-FS-2	E-FS-3
E-WS-1	W see note 1	W	W see note 1	W see note 1	✓	✓
E-WS-2	✓	W	✓ see note 2	W	W	W
E-WS-3	W	W	W	W	W	W
E-WS-4	W see note 1	W	W see note 1	W see note 1	✓	✓
E-WS-5	✓	✓	✓	W	W	W

Key for Table 3b and Table 3c

**F** Only the separating floor requires pre-completion sound testing.

**W** Only the separating wall requires pre-completion sound testing.

**1** Lightweight steel and timber frame walls may be constructed above in-situ poured concrete floors.

The lightweight walls built directly off the concrete floors may be registered as Robust Details provided:

- they meet all other requirements of the Robust Detail, including flanking constructions;
- the principles of the raft foundation junction are followed. As such, the concrete of the floor must have a mass of 365 kg/m<sup>2</sup> (min), and a floating floor treatment must be provided to shield the base of the wall, as shown in the Separating Wall junction in the floor Robust Detail;
- Walls constructed to the soffit of in-situ poured concrete floors cannot be registered as Robust Details and may be subject to pre-completion sound testing.

**2** A floating screed must be installed up to the separating wall as shown in the separating floor detail.

See also notes relating to [Combining loadbearing masonry and lightweight framed separating walls](#) included under Table 3a.

# Introduction

**Table 4 – Combining Robust Details separating walls with non-Robust Details separating floors in flats/apartments**

Loadbearing masonry			
E-WM-1	F1	E-WM-21	F1
E-WM-2	F1	E-WM-22	F1
E-WM-3	F1	E-WM-23	F1
E-WM-4	F1	E-WM-24	F1
E-WM-5	F1	E-WM-25	F1
E-WM-6	F1	E-WM-26	F1
E-WM-8	F1	E-WM-27	F1
E-WM-10	F1	E-WM-28	F1
E-WM-11	F1	E-WM-29	F1
E-WM-12	F1	E-WM-30	F1
E-WM-13	F1		
E-WM-14	F1		
E-WM-15	F1		
E-WM-16	F1		
E-WM-17	F1		
E-WM-18	F1		
E-WM-20	F1		

Timber frame		Light steel frame	
E-WT-1	F2	E-WS-1	F3
E-WT-2	F2	E-WS-2	F4
E-WT-3	F2	E-WS-3	F3
E-WT-4	F2	E-WS-4	F3
		E-WS-5	F4

**Key**

- F1** Only the separating floor requires pre-completion testing provided the floor does not bridge the separating wall cavity. Otherwise both the wall and floor need testing.
- F2** Only the separating floor requires pre-completion testing provided the floor is timber-based and does not bridge the separating wall cavity. Otherwise both the wall and floor need testing.
- F3** Only the separating floor requires pre-completion testing provided the wall is being used in a lightweight steel frame flat/apartment and the floor does not bridge the separating wall cavity. Otherwise both the wall and floor need testing.
- F4** Only the separating floor requires pre-completion testing provided the wall is being used in a concrete frame building and the floor has the required floor treatment (see notes under Table 3c). Otherwise both the wall and floor need testing.

**Table 5 – Combining Robust Details separating floors with non-Robust Details separating walls in flats/apartments**

Loadbearing masonry			
E-FC-1	W1	E-FC-11	W1
E-FC-4	W2	E-FC-12	W1
E-FC-5	W2	E-FC-13	W1
E-FC-6	W1	E-FC-14	W1
E-FC-7	W1	E-FC-15	W1
E-FC-8	W2	E-FC-16	W1
E-FC-9	W2	E-FC-17	W1
E-FC-10	W2		

Timber frame		RC frame	
E-FT-1	W3	E-FC-2	W4
E-FT-2	W3	E-FC-10	W4
E-FT-3	W3	E-FC-18	W4
E-FT-4	W3		
E-FT-5	W3		
E-FT-6	W3		
E-FT-7	W3		
E-FT-8	W3		

Light steel frame			
		E-FS-1	W4
		E-FS-2	W5
		E-FS-3	W5

**Key**

- W1** Only the separating wall requires pre-completion testing provided the wall is constructed using aggregate blocks specified for the inner leaf in the floor Robust Detail. Otherwise both the floor and wall need testing.
- W2** Only the separating wall requires pre-completion testing provided the wall is constructed using blocks specified for the inner leaf in the floor Robust Detail. Otherwise both the floor and wall need testing.
- W3** Only the separating wall requires pre-completion testing if used with timber frame supporting walls and twin leaf timber frame separating walls. Otherwise both the floor and wall need testing.
- W4** Only the separating wall requires pre-completion testing provided the external wall meets the specification given in the separating floor Robust Detail. Otherwise both the floor and wall need testing.
- W5** Only the separating wall requires pre-completion testing if used with steel frame supporting walls and twin leaf steel frame separating walls. Otherwise both the floor and wall need testing.

For any construction that requires a separating element to be tested, the user should seek expert acoustic advice on the design and potential acoustic performance.

# Introduction

Table 6a – Robust Detail separating walls which can be used together with the proprietary flanking constructions contained in Appendix A2

		BRIDGESTOP® system	Smartroof system	Kingspan TEK	Prestoplan PresPeak 60	Wall Cap RDA2	RoofSpace I-Roof	Space4 system	Stewart Milne Sigma® Panel
Masonry walls	E-WM-1	✓				✓			
	E-WM-2	✓				✓			
	E-WM-3	✓	✓			✓	✓		
	E-WM-4	✓	✓			✓	✓		
	E-WM-5	✓	✓			✓	✓		
	E-WM-6		✓			✓	✓		
	E-WM-8	✓	✓			✓	✓		
	E-WM-9								
	E-WM-10		✓			✓	✓		
	E-WM-11	✓	✓			✓	✓		
	E-WM-12	✓	✓			✓	✓		
	E-WM-13		✓			✓	✓		
	E-WM-14	✓	✓			✓	✓		
	E-WM-15		✓			✓	✓		
	E-WM-16	✓	✓			✓	✓		
	E-WM-17	✓	✓			✓	✓	✓	
	E-WM-18	✓				✓			
	E-WM-19	✓ see note 1							
	E-WM-20	✓	✓			✓	✓		
	E-WM-21	✓				✓			
	E-WM-22	✓	✓			✓	✓		
	E-WM-23	✓ see note 1	✓			✓	✓		
	E-WM-24	✓ see note 1	✓			✓	✓		
	E-WM-25					✓			
	E-WM-26	✓	✓			✓	✓	✓	
	E-WM-27	✓	✓			✓	✓		
	E-WM-28	✓	✓			✓	✓		
	E-WM-29					✓			
	E-WM-30	✓ see note 1	✓			✓	✓		

**Key**

**1** When constructing these walls off raft foundations, the raft must have insitu concrete with 150mm minimum thickness.

**See over for timber and steel frame walls**

## Introduction

Table 6a (continued) – Robust Detail separating walls which can be used together with the proprietary flanking constructions contained in Appendix A2

		BRIDGESTOP® system	Smartroof system	Kingspan TEK	Prestoplan PresPeak 60	Wall Cap RDA2	RoofSpace I-Roof	Space4 system	Stewart Milne Sigma® Panel
Timber walls	E-WT-1		✓	✓	✓	✓	✓		✓
	E-WT-2		✓	✓	✓	✓	✓	✓	✓
	E-WT-3		✓			✓	✓		
	E-WT-4		✓			✓	✓		
Steel walls	E-WS-1					✓			
	E-WS-2								
	E-WS-3								
	E-WS-4					✓			
	E-WS-5								

## Introduction

Table 6b – Robust Detail separating floors which can be used together with the proprietary flanking constructions contained in Appendix A2

		BRIDGESTOP® system	Smartroof system	Kingspan TEK	Prestoplan PresPeak 60	Wall Cap RDA2	RoofSpace I-Roof	Space4 system
Concrete floors	E-FC-1					✓		
	E-FC-2							
	E-FC-4					✓		
	E-FC-5					✓		
	E-FC-6					✓		
	E-FC-7					✓		
	E-FC-8					✓		
	E-FC-9					✓		
	E-FC-10					✓	see note 1	
	E-FC-11					✓		
	E-FC-12					✓		
	E-FC-13					✓		
	E-FC-14					✓		
	E-FC-15					✓		
	E-FC-16					✓		
	E-FC-17					✓		
	E-FC-18							
	Timber floors	E-FT-1					✓	
E-FT-2						✓		
E-FT-3						✓		
E-FT-4						✓		
E-FT-5						✓		
E-FT-6						✓		
E-FT-7						✓		
E-FT-8						✓		
Steel-concrete and steel floors	E-FS-1							
	E-FS-2					✓		
	E-FS-3					✓		

Key

1 Applies only to loadbearing masonry constructions.

## Introduction

---

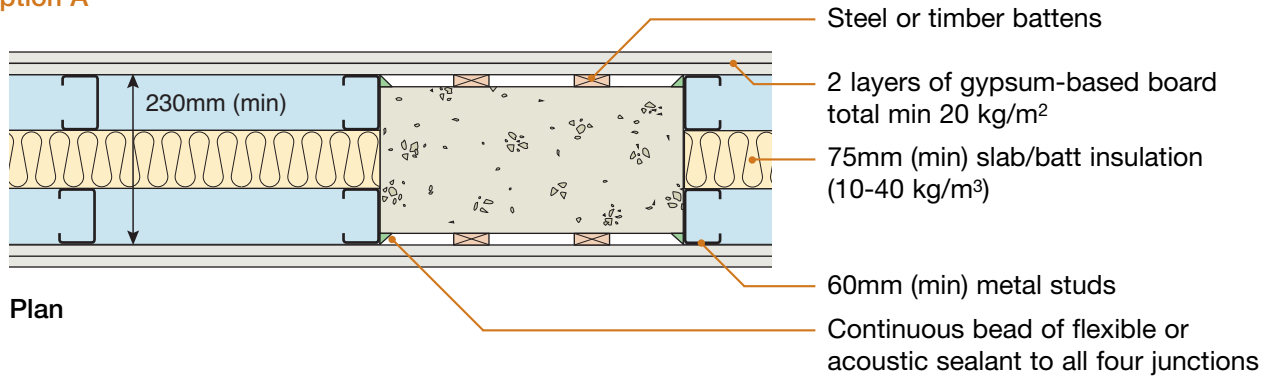
Table 7 – Robust Detail separating floors which can be used together with alternative products contained in Appendix A3

		British Gypsum GypFloor	Insumate insulation tray
Concrete floors	E-FC-1	✓	
	E-FC-2	✓	
	E-FC-4		
	E-FC-5		
	E-FC-6		
	E-FC-7	✓	
	E-FC-8		
	E-FC-9		
	E-FC-10		
	E-FC-11		
	E-FC-12		
	E-FC-13		
	E-FC-14		
	E-FC-15		
	E-FC-16		
	E-FC-17		
	E-FC-18		
	Timber floors	E-FT-1	
E-FT-2			✓
E-FT-3			✓
E-FT-4			
E-FT-5			
E-FT-6			
E-FT-7			✓
E-FT-8			✓
Steel-concrete and steel floors	E-FS-1	✓	
	E-FS-2		
	E-FS-3		

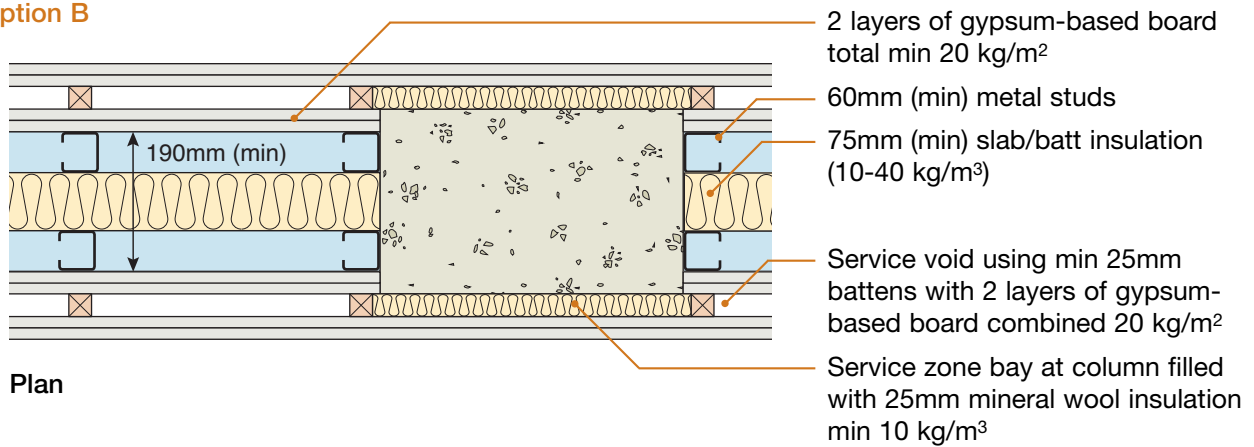


## 8. Service zone and wall options for in-line concrete columns

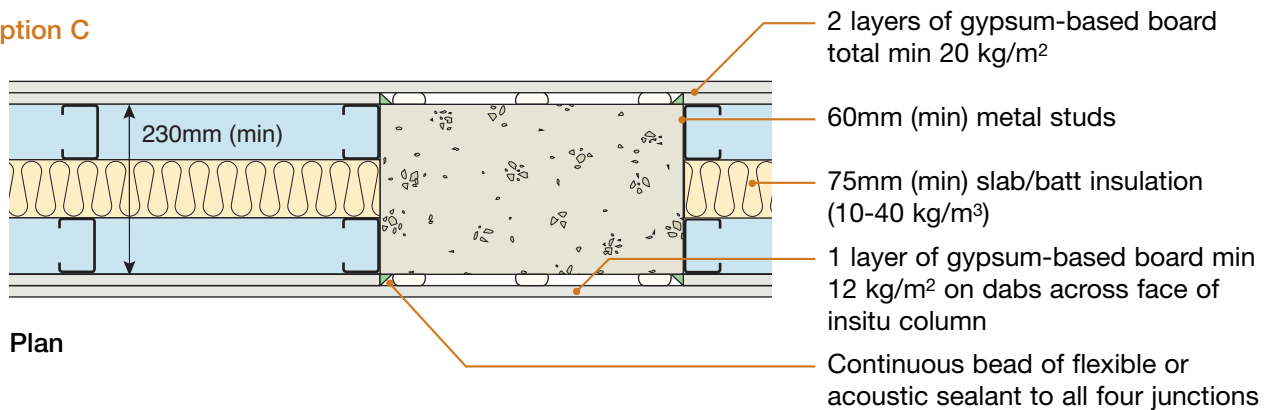
### Option A



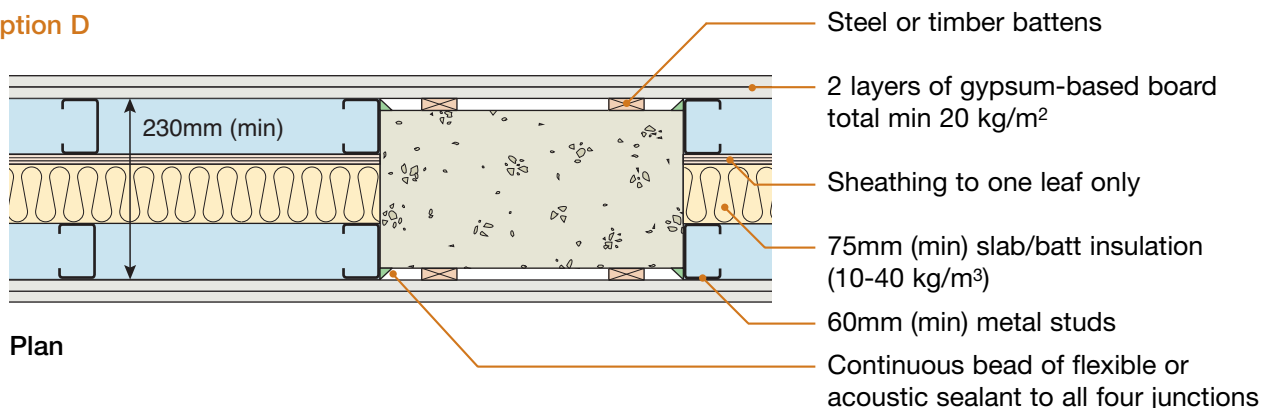
### Option B



### Option C



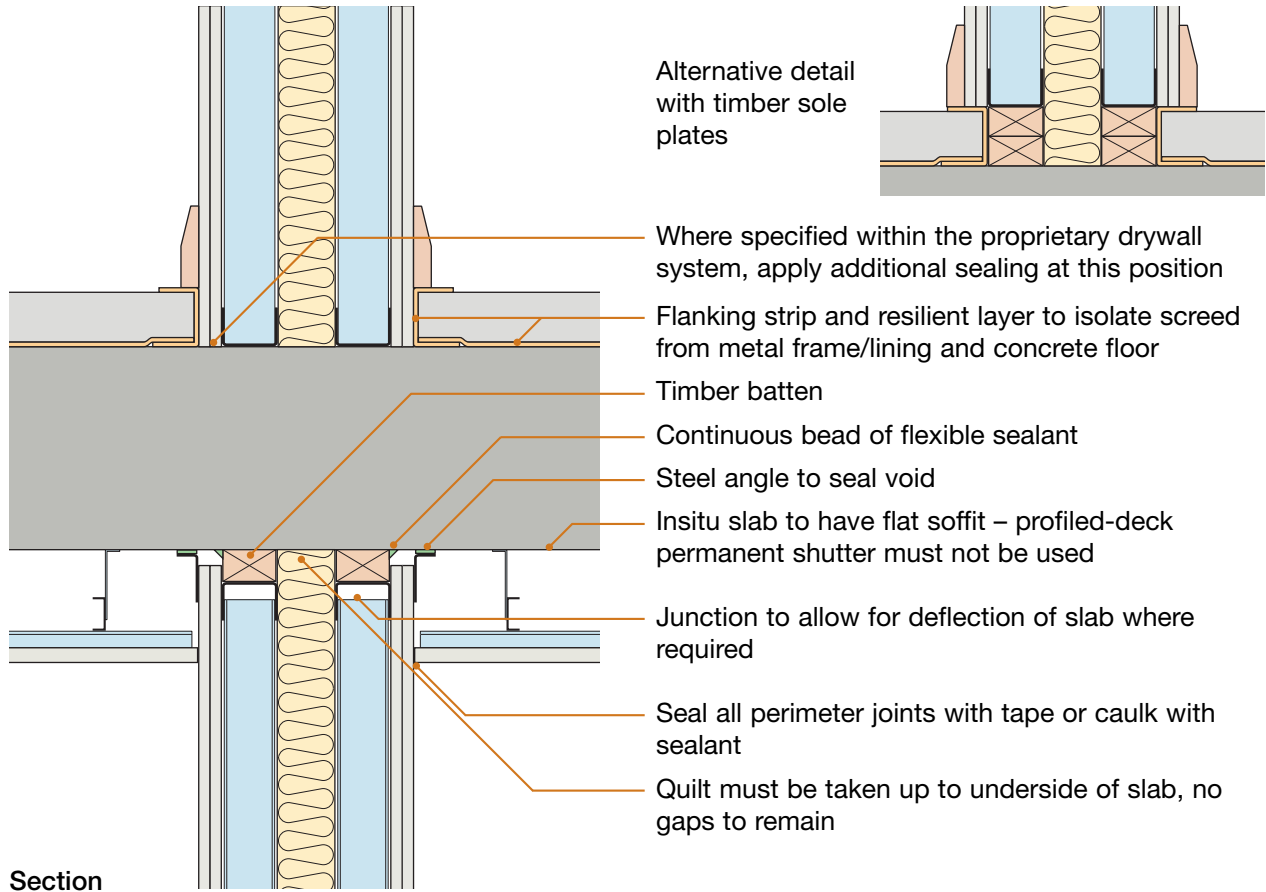
### Option D



Ensure studs, top and bottom rails or gypsum boards do not bridge between the twin frames

9. Separating floor junction – in-situ concrete floor E-FC-18

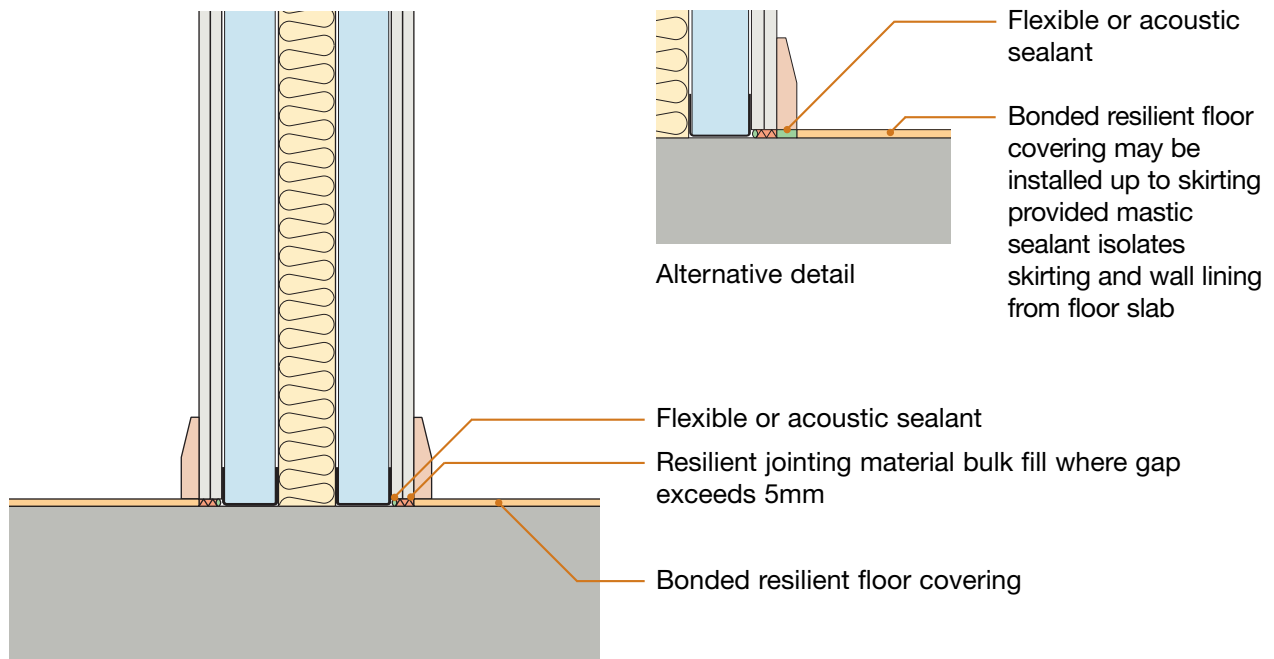
9.1 Floating screed finish



Section

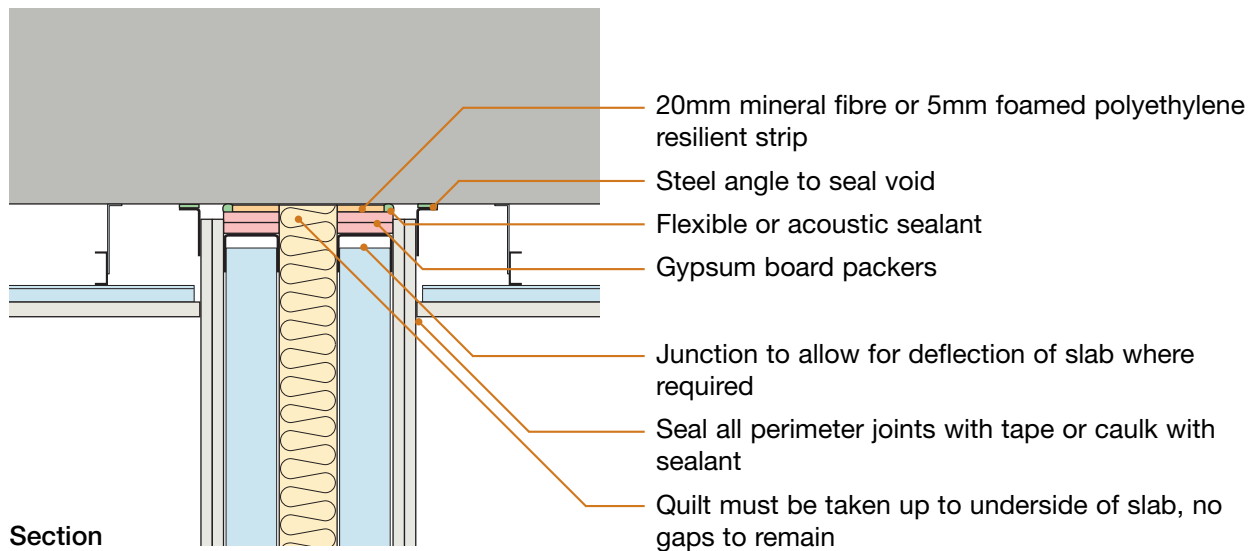
An alternative deflection head detail is shown in Section 10

9.2 Bonded resilient layer finish

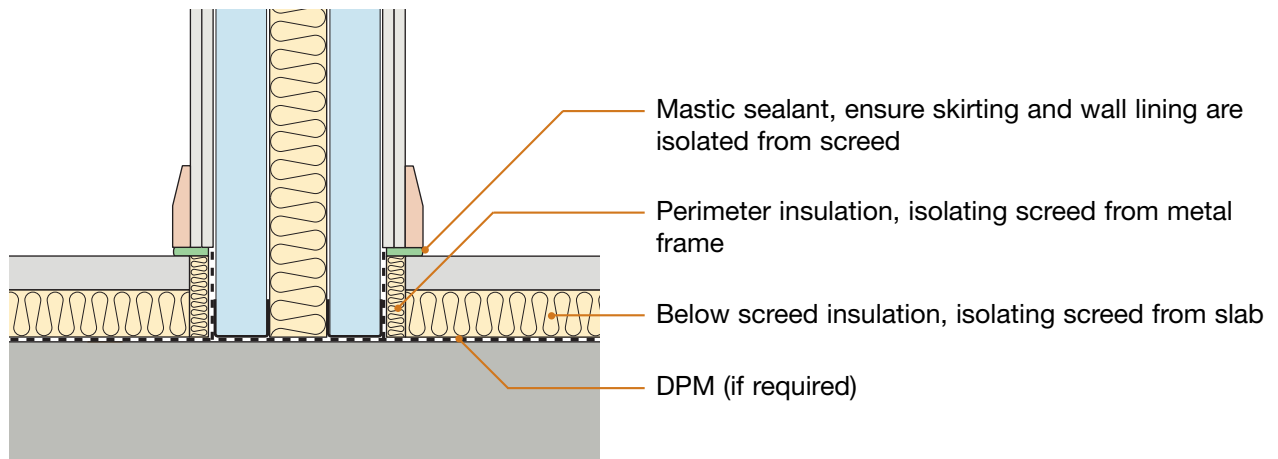


Section

## 10. Slab junction (with alternative deflection head detail)

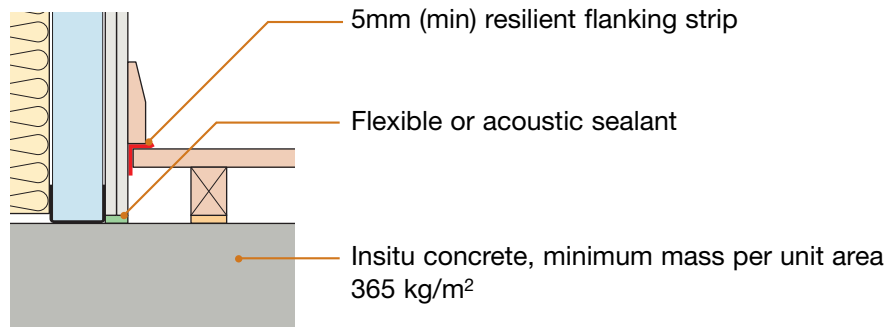


## 11. Ground floor junction

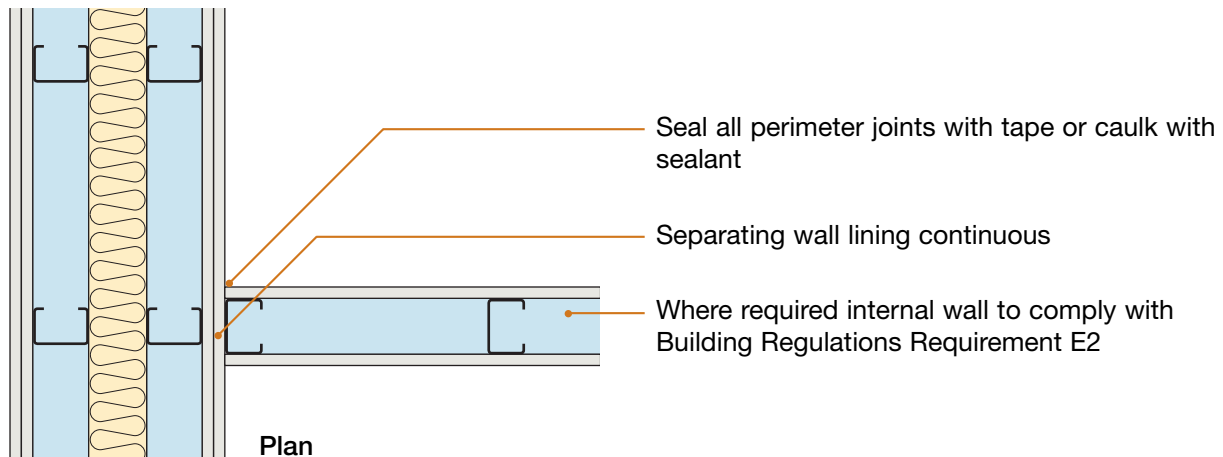


Section

Alternative detail with timber floating floor finish

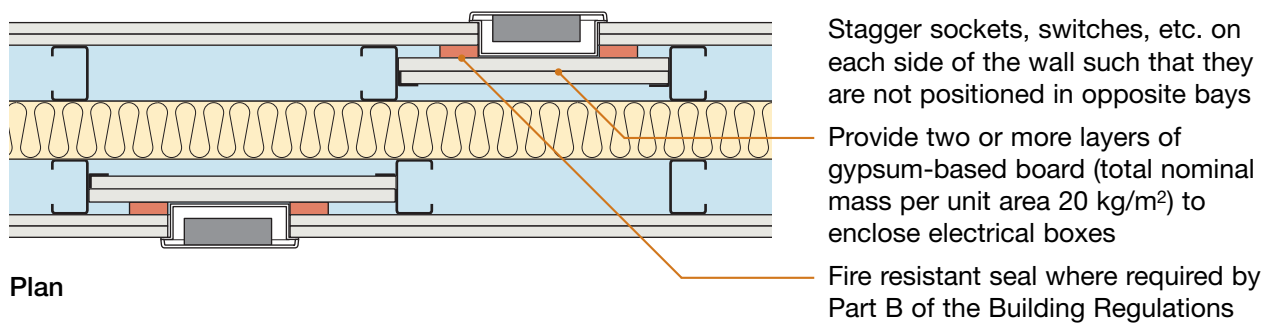


## 12. Internal wall junction

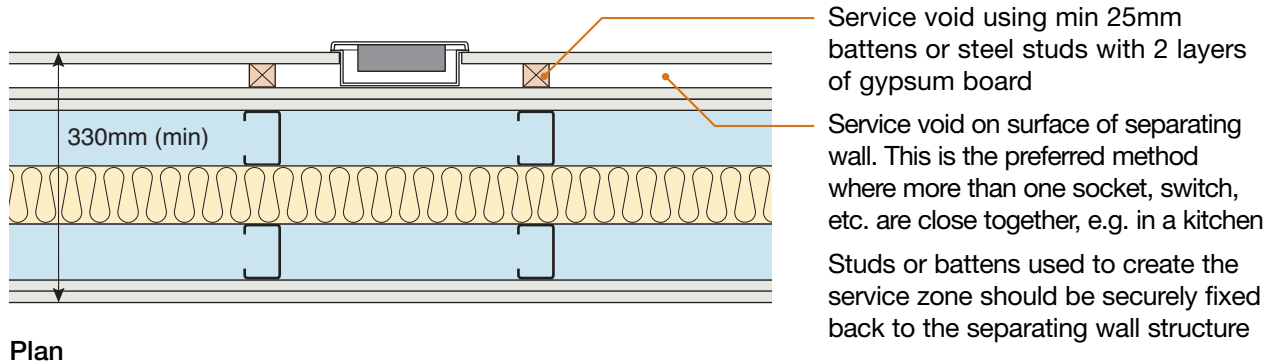


## 13. Services and sockets in the separating wall

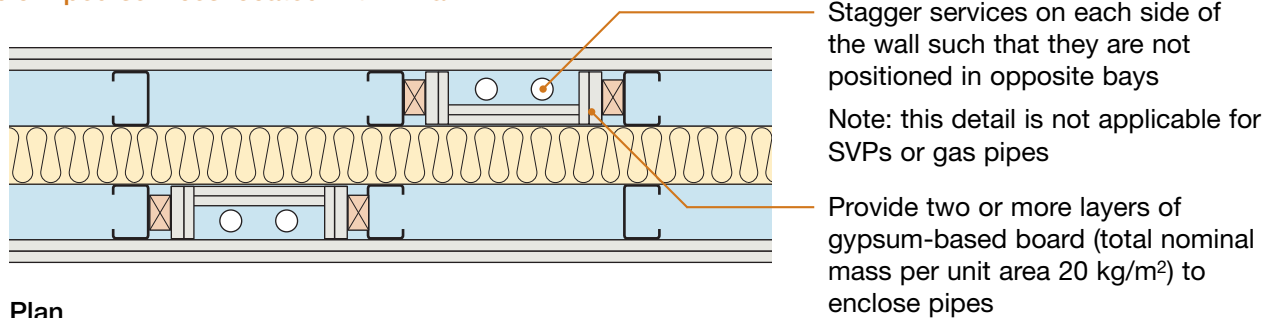
### 13.1 Electrical sockets, switches etc



### 13.2 Electrical sockets and switches in service void

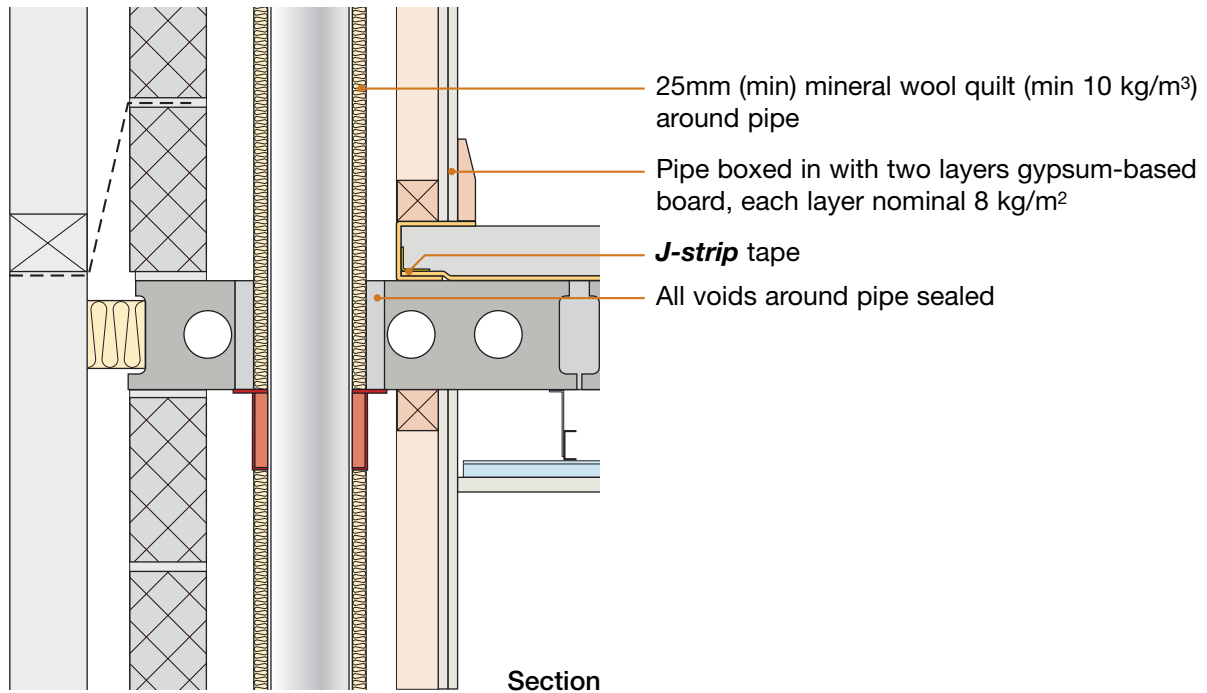


### 13.3 Piped services located within wall



Ensure studs, top and bottom rails or gypsum boards do not bridge between the twin frames

## 6. Services – Service pipes through separating floor



Sketch shows CT0 type ceiling treatment

## CHECKLIST (to be completed by site manager/supervisor)

Company: \_\_\_\_\_

Site: \_\_\_\_\_

Plot: \_\_\_\_\_ Site manager/supervisor: \_\_\_\_\_

Ref.	Item	Yes (✓)	No (✓)	Inspected (initials & date)
1.	Has training been received from <i>Collecta</i> ®?	<input type="checkbox"/>	<input type="checkbox"/>	<input style="width: 100%;" type="text"/>
2.	Are precast concrete planks 150mm (min) thick and of mass per unit area 300 kg/m <sup>2</sup> (min)?	<input type="checkbox"/>	<input type="checkbox"/>	<input style="width: 100%;" type="text"/>
3.	Are inner leaves to external (flanking) walls of the correct block density and appropriate for precast concrete plank thickness and ceiling treatment?	<input type="checkbox"/>	<input type="checkbox"/>	<input style="width: 100%;" type="text"/>
4.	Are joints between precast concrete planks grouted and sealed?	<input type="checkbox"/>	<input type="checkbox"/>	<input style="width: 100%;" type="text"/>
5.	Are precast concrete planks built into the masonry walls?	<input type="checkbox"/>	<input type="checkbox"/>	<input style="width: 100%;" type="text"/>
6.	Is the <b>E-strip</b> perimeter edging installed around all room perimeter walls (including door openings, cupboards, across thresholds and into wall recesses) and service pipes and joints sealed with <b>J-strip</b> tape?	<input type="checkbox"/>	<input type="checkbox"/>	<input style="width: 100%;" type="text"/>
7.	Are <b>YELOfon</b> ® HD10+ resilient layer joints formed as described in Section 4 and sealed with <b>J-strip</b> tape?	<input type="checkbox"/>	<input type="checkbox"/>	<input style="width: 100%;" type="text"/>
8.	Is <b>YELOfon</b> ® HD10+ resilient layer overlapping the <b>E-strip</b> perimeter edging and joints sealed with <b>J-strip</b> tape?	<input type="checkbox"/>	<input type="checkbox"/>	<input style="width: 100%;" type="text"/>
9.	Are the skirting boards isolated from the screed by the <b>E-strip</b> perimeter edging?	<input type="checkbox"/>	<input type="checkbox"/>	<input style="width: 100%;" type="text"/>
10.	Is appropriate ceiling treatment used to suit wall block type?	<input type="checkbox"/>	<input type="checkbox"/>	<input style="width: 100%;" type="text"/>
11.	Are all ceiling board joints sealed with tape or caulked with sealant?	<input type="checkbox"/>	<input type="checkbox"/>	<input style="width: 100%;" type="text"/>
12.	Are service pipes wrapped in quilt and boxed in with two layers of nominal 8 kg/m <sup>2</sup> gypsum-based board?	<input type="checkbox"/>	<input type="checkbox"/>	<input style="width: 100%;" type="text"/>
13.	Is separating floor satisfactorily complete?	<input type="checkbox"/>	<input type="checkbox"/>	<input style="width: 100%;" type="text"/>

Contact details for technical assistance from *Collecta*®, manufacturer of ScreedBoard® 28 system:  
**Telephone: 01634 296677      Fax: 01634 226630      E-mail: technical@collecta.co.uk**

**Notes** (include details of any corrective action)

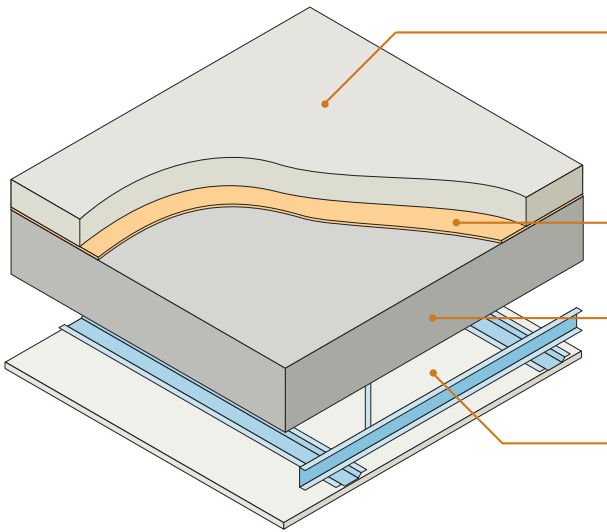
Site manager/supervisor signature .....

©: UK registered trade mark no. 2291665

© Robust Details Limited 2011. All rights reserved. No part of this Handbook (other than the checklists) may be reproduced in any material form or issued or communicated to the public (including photocopying or storing it in any medium by electronic means, and whether or not transiently or incidentally to some other use of this Handbook) without the prior written permission of Robust Details Limited except in accordance with the provisions of the Copyright, Designs and Patents Act 1988.

Warning: the doing of an unauthorised act in relation to a copyright work may result in both a civil claim for damages and criminal prosecution.

- Insitu concrete slab with flat soffit
- For use in reinforced concrete frame construction
- Bonded resilient floor covering, or screed laid on resilient layer system



<b>Screed</b>	65mm (min) cement:sand screed or 40mm (min) proprietary screed of nominal 80 kg/m <sup>2</sup> mass per unit area
<b>Resilient layer</b>	See list below and section 7, or see section 8 for bonded resilient floor coverings
<b>Structural floor</b>	225mm (min) insitu concrete floor slab, 2400 kg/m <sup>3</sup> (min) density without screed
<b>Ceiling</b>	See section 9 for suitable ceiling treatment

**Reinforced concrete frame construction - alternative external (flanking) wall construction**

Storey height glazing units and external insulated cladding panels are an acceptable alternative to the cavity walls illustrated provided:

- Glazing units should not be continuous between storeys
- Mullion or transom supports/framing should not be continuous between dwellings
- Refer to Appendix A

**Under-screed Resilient Layer systems**

Only the following under-screed Resilient Layer systems may be used on E-FC-18 (see also Section 7):

- Thermal Economics 6mm Iso Rubber and IsoEdge
- *Cellecta*® YELOfon® HD10+ and E-strip
- Icopal-MONARFLOOR® TRANQUILT® system
- Thermal Economics IsoRubber Base HP3 and IsoEdge
- InstaCoustic InstaLay 65
- Thermal Economics Iso Rubber Code and IsoEdge 6/260
- Regupol Quietlay

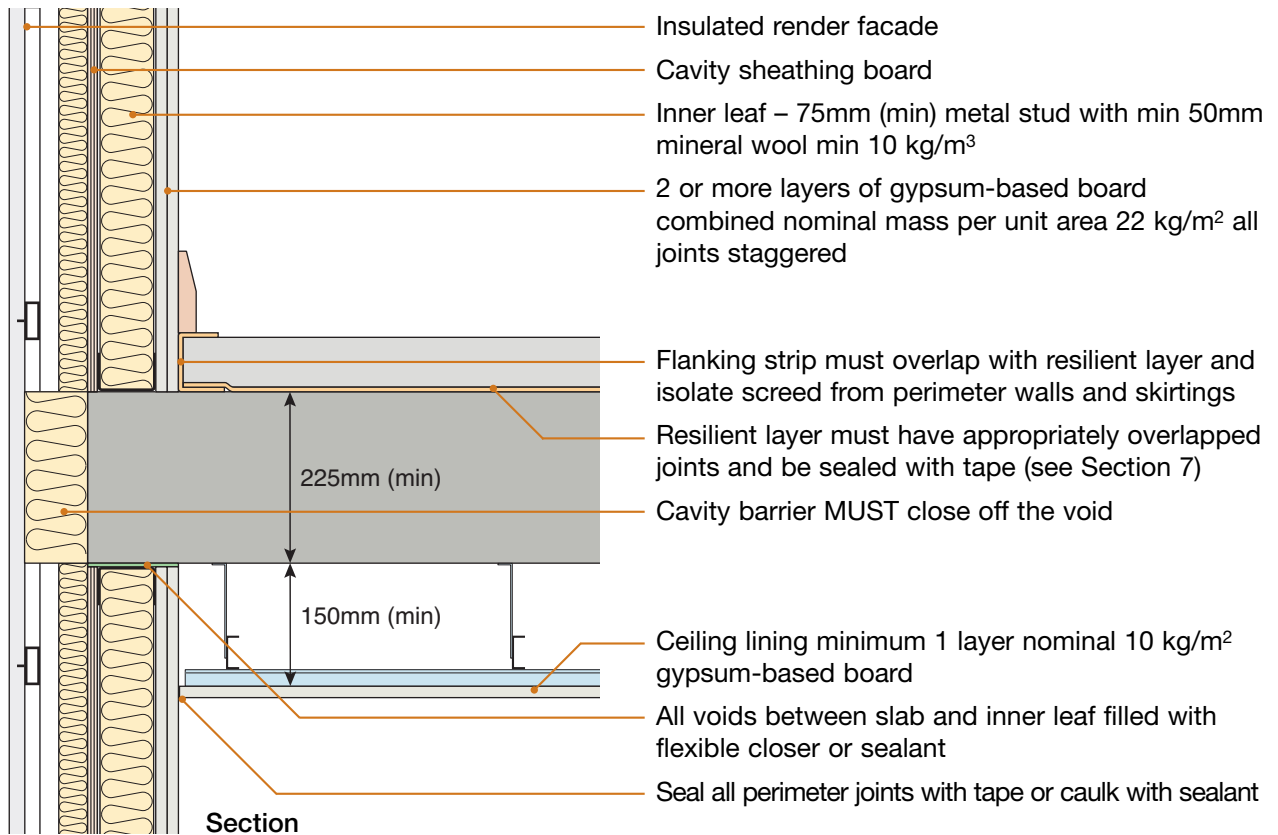
**When using under-screed resilient layer systems:**

- Ensure resilient layer is laid over the entire floor surface and has overlapped joints appropriately sealed with tape
- Ensure resilient layer overlaps with flanking strip and is taped and sealed at joints. On no account should the screed come into contact with the floor slab or perimeter walls
- Ensure the flanking strip isolates the skirting and wall linings. On no account should the screed come into contact with the wall lining and skirting
- Refer to Section 7 for details of installation, and requirements for proprietary screeds
- Refer to Appendix A

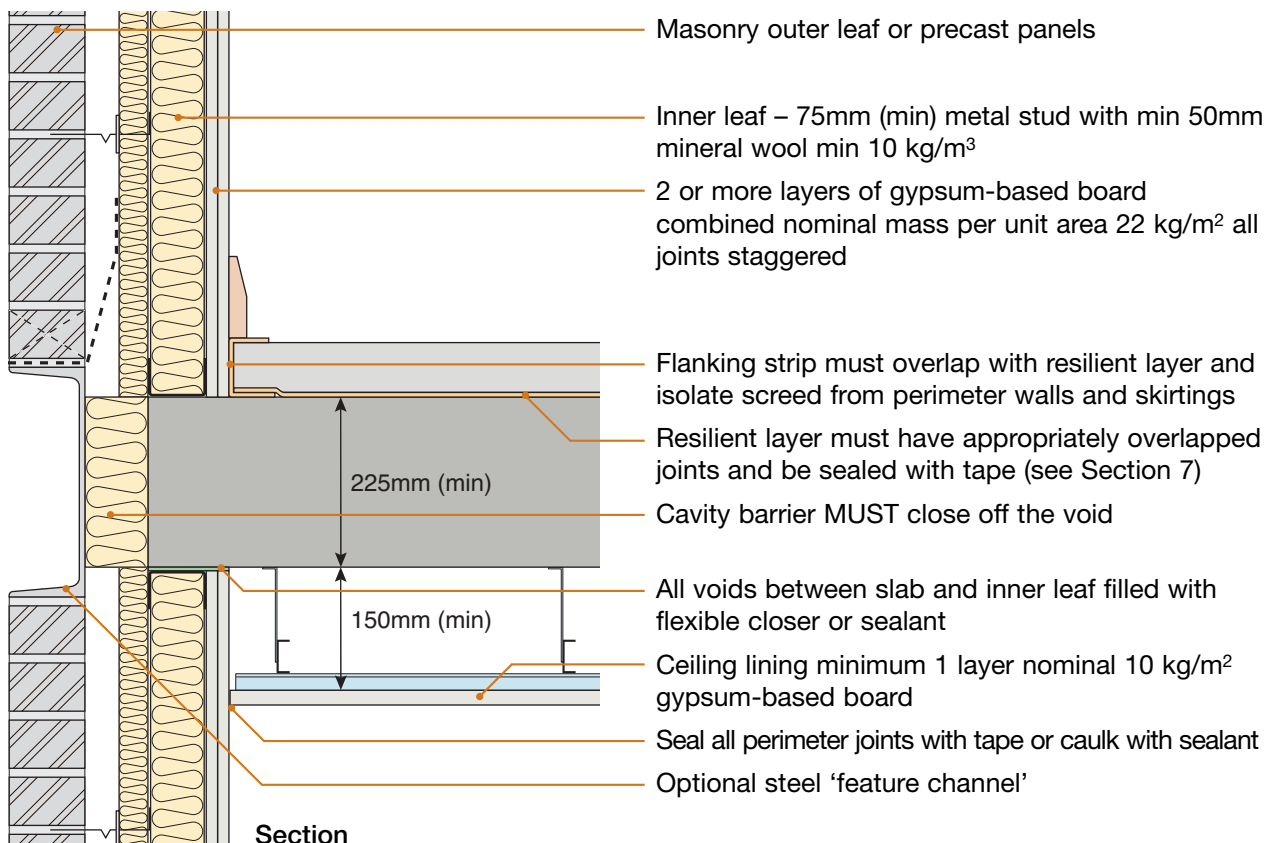
**Bonded Resilient floor coverings**

Refer to Section 8 for bonded resilient floor covering requirements

1. External (flanking) wall junction – insulated cladding

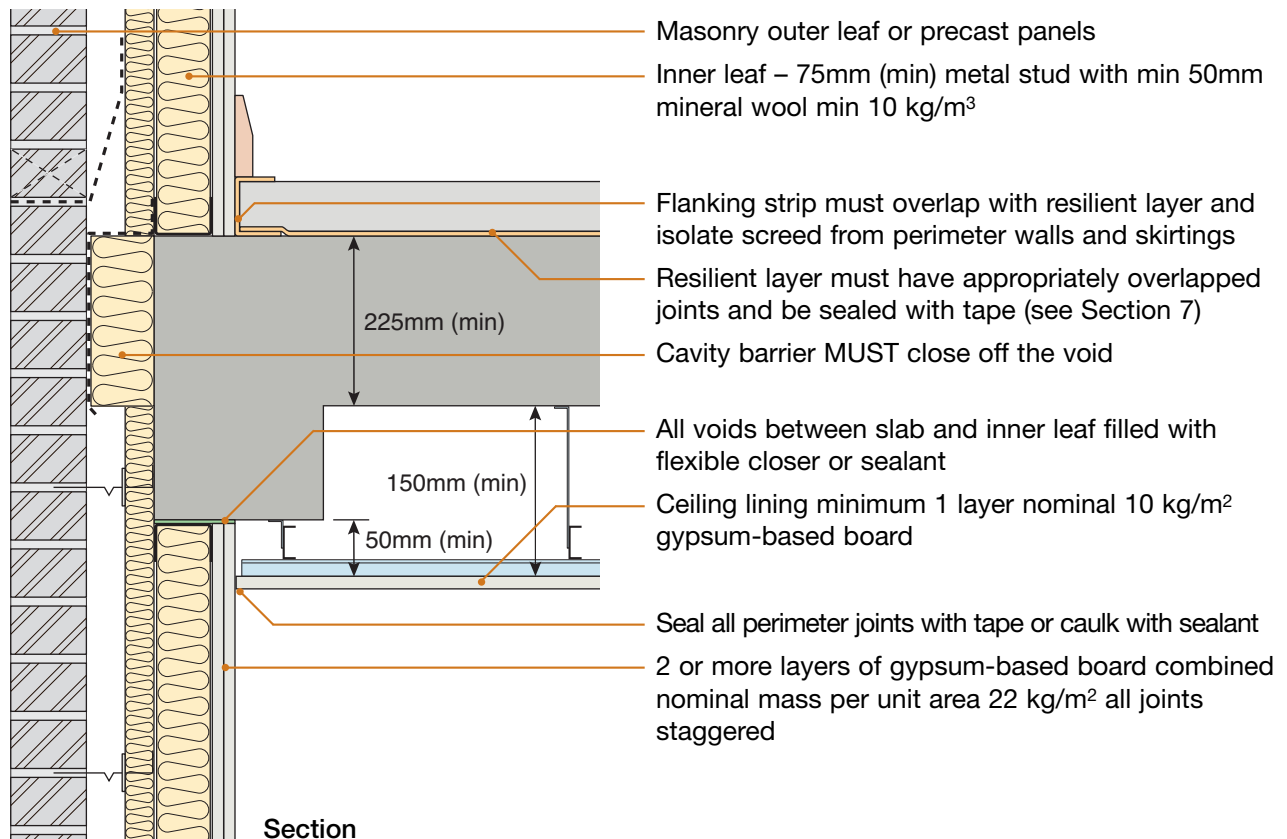


2. External (flanking) wall junction – masonry outer leaf

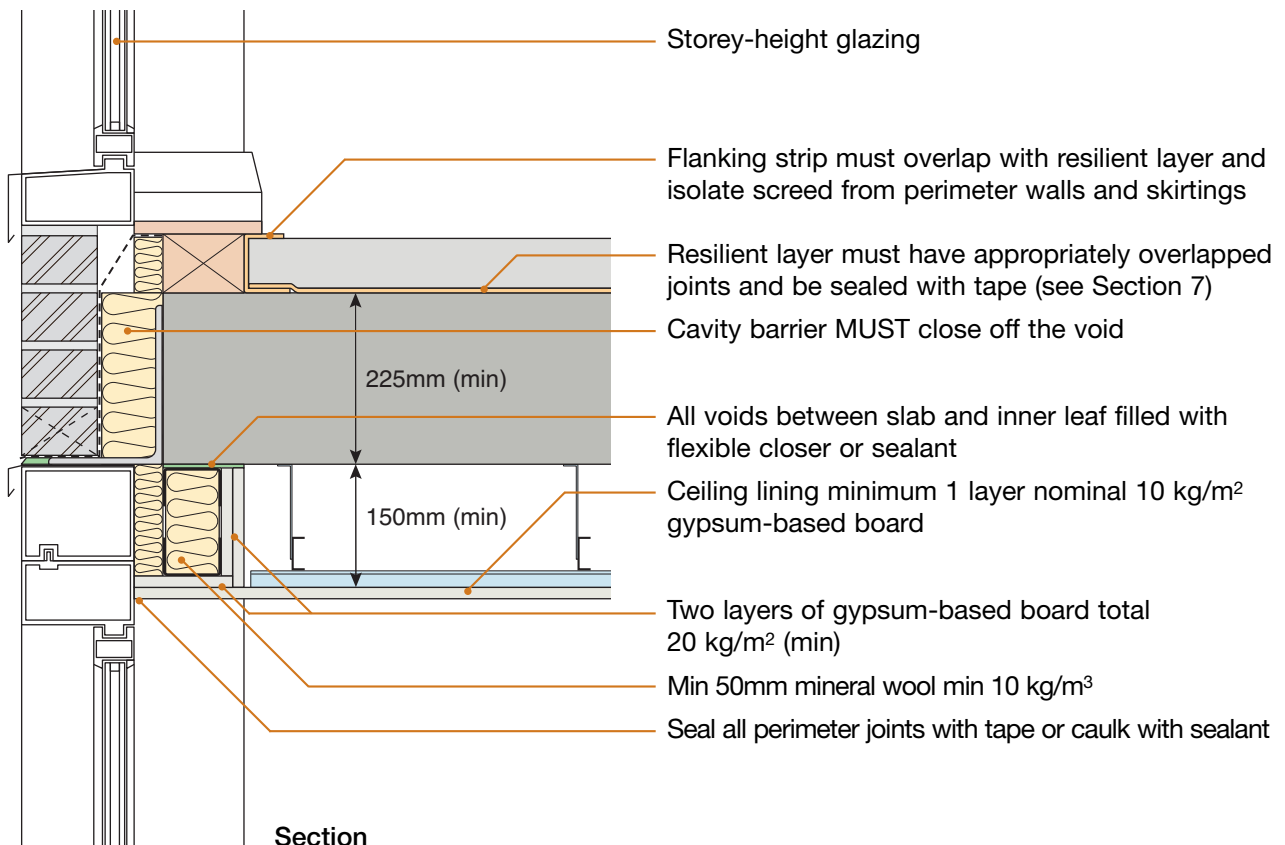




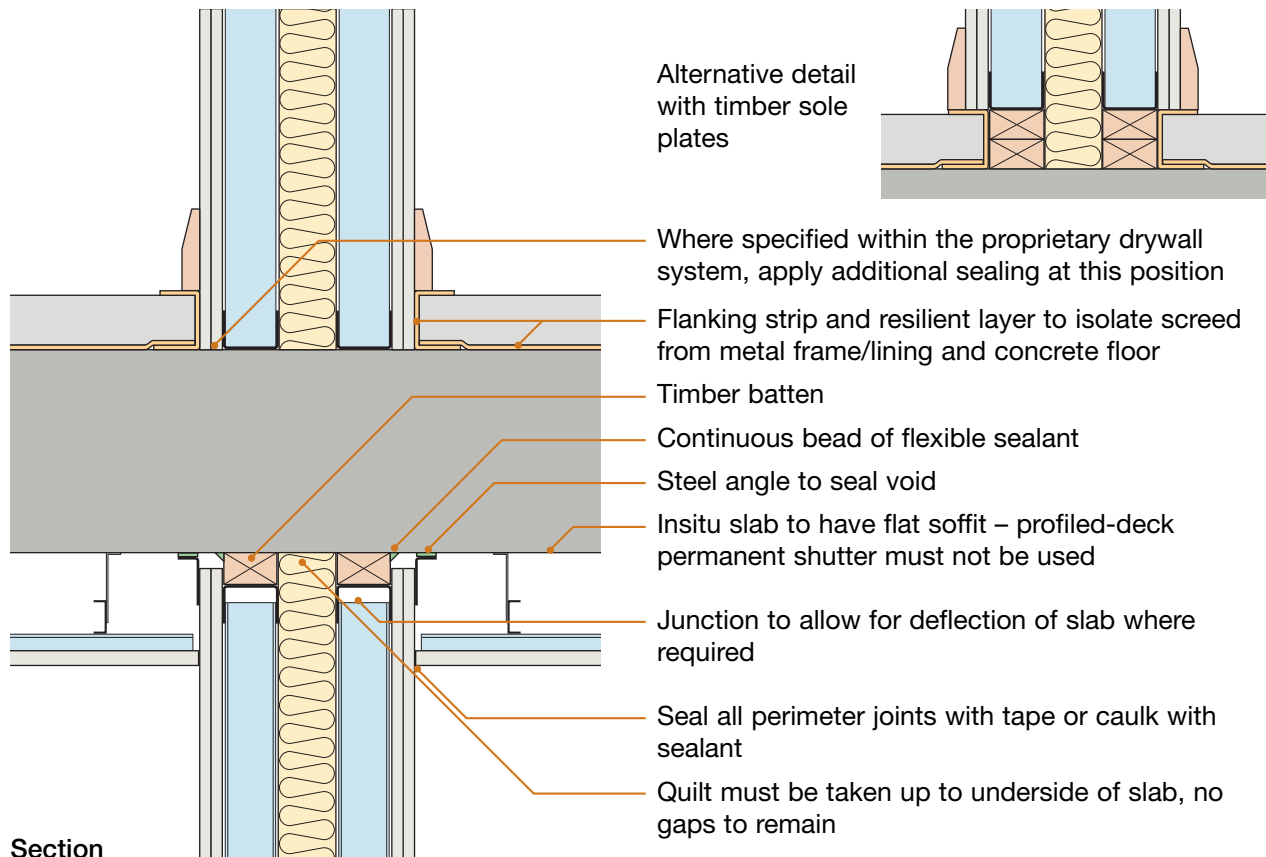
## 3. External (flanking) wall junction – with concrete downstand beam



## 4. External (flanking) wall junction – storey-height glazing

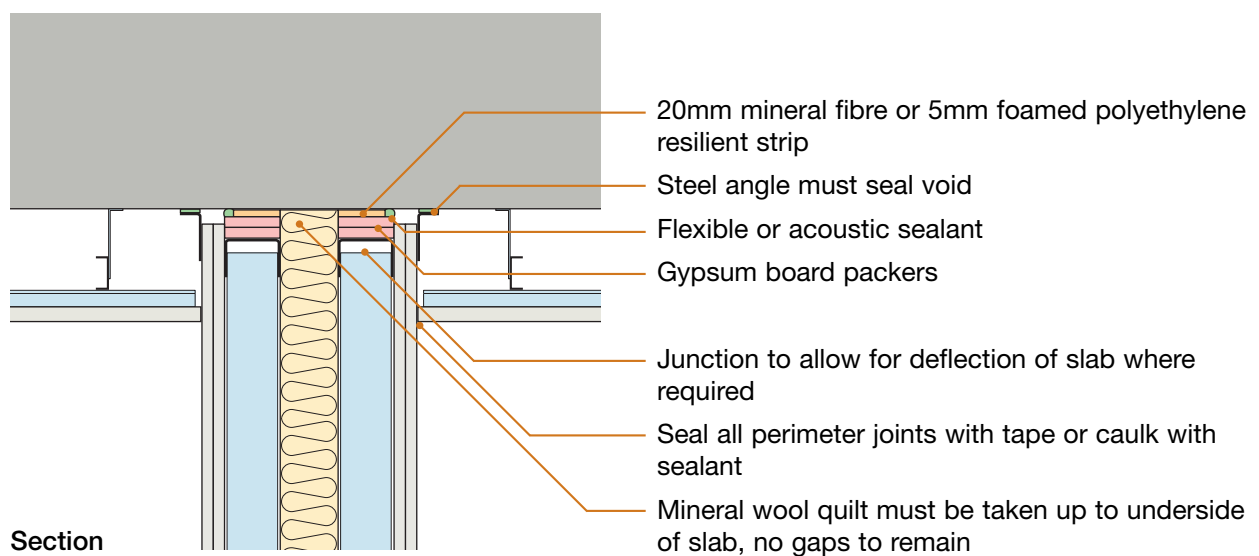


## 5. Separating wall junction

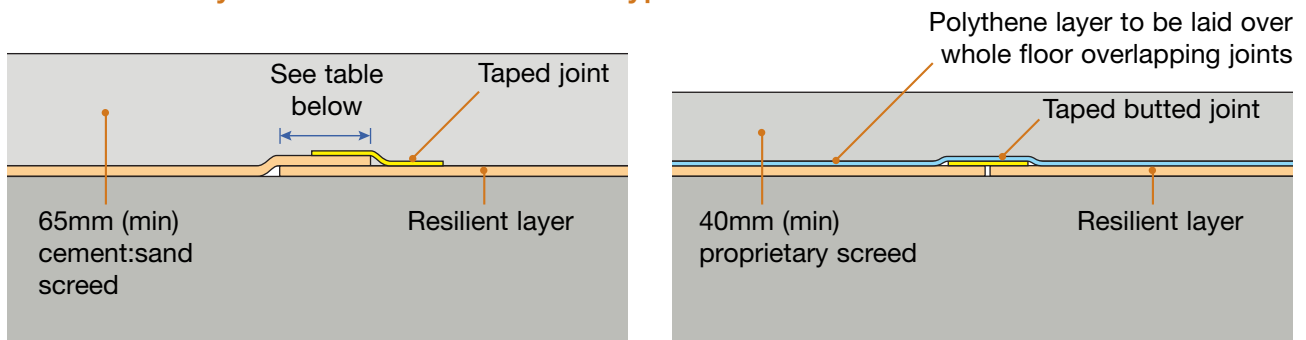


An alternative deflection head detail is shown below

## 6. Slab junction (with alternative deflection head detail)

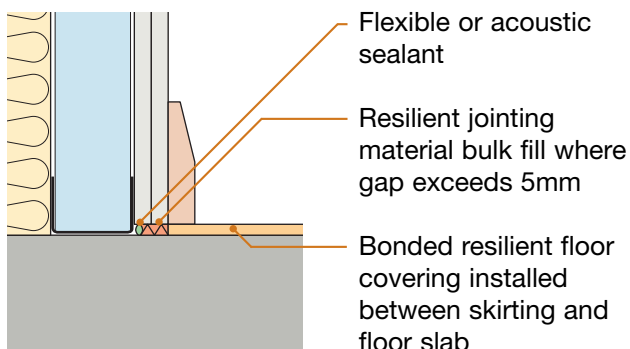


## 7. Resilient layer installation and screed types

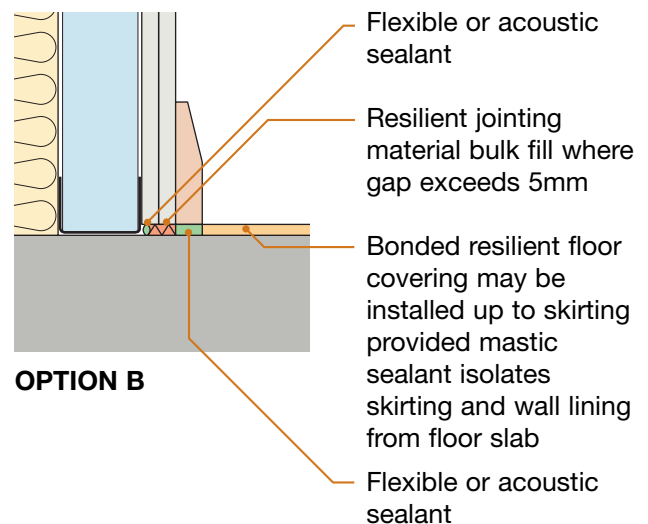


Resilient layer system	Minimum overlap	Joining method
Thermal Economics 6mm Iso Rubber & IsoEdge	50mm	Generic tape
Cellecta® YELOfon® HD10+ and E-strip	150mm	J-strip
Icopal-MONARFLOOR® TRANQUILT® system	Integrated	Monarfloor Acoustic Adhesive
Thermal Economics IsoRubber Base HP3 & IsoEdge	50mm	Generic tape
InstaCoustic InstaLay 65	50mm	Generic tape
Thermal Economics Iso Rubber Code & IsoEdge 6/260	50mm	Generic tape
Regupol Quietlay	50mm	Regupol tape

## 8. Bonded resilient floor covering



**OPTION A**



**OPTION B**

### IMPORTANT

If using **robustdetails**® separating walls, refer to Table 3c in the Handbook Introduction.

Bonded resilient floor coverings must be tested in accordance with Appendix G.

Polyethylene foams may not be used for bonded resilient floor coverings.

The resilient floor covering material must be overprinted with wording prohibiting its removal.

Bonded resilient floor covering should be suitably resistant to site and removals traffic.

### Bonded resilient floor cover

- min 4.5mm thickness and must be bonded
- must be capable of supporting carpet and wood finishes in habitable rooms
- **Laboratory testing performance must be undertaken directly on the resilient cover, and with a wood floor finish as outlined in Appendix G (min $\Delta L_w$  17 dB without timber board overlay; min  $rd\Delta L_w$  17 dB with timber board overlay)**

## 9. Ceiling treatments for E-FC-18

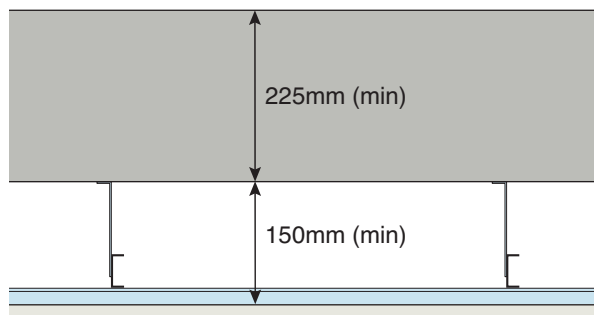
Ceiling treatments must be installed in accordance with the manufacturer’s instructions.

All ceiling joints must be sealed with tape or caulked with sealant.

If used, the maximum load on resilient bars shall not exceed that specified in the manufacturer’s instructions.

Note: the sound insulation performance of ceiling treatments is increased if:

- 25mm (min) mineral wool quilt is placed in the ceiling void, and/or
- resilient hangers are used.



### Downlighters and recessed lighting

Provided there is a minimum ceiling void of 150mm downlighters or recessed lighting may be installed in the ceiling:

- in accordance with the manufacturer’s instructions
- into openings not exceeding 100mm diameter or 100x100mm

Particular attention should also be paid to Building Regulations Part B - Fire Safety

### Any ceiling system – 150mm (min) void

- any timber or metal ceiling system providing 150mm (min) ceiling void
- one layer of nominal 10 kg/m<sup>2</sup> gypsum-based board

## 10. Underfloor heating systems within screeds

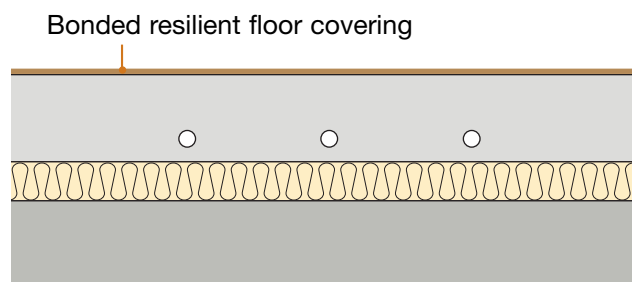
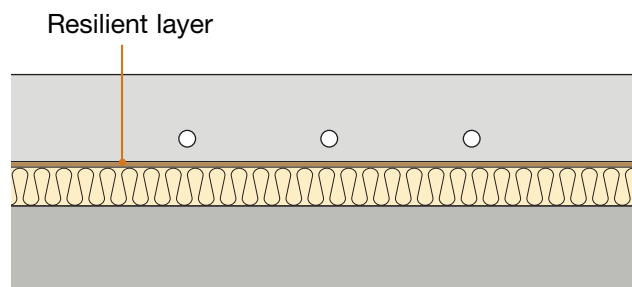
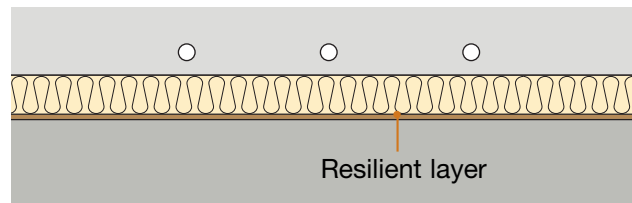
Underfloor heating systems (including connectors and fixings) installed within the screed must not penetrate the resilient layer or bridge the screed to the slab.

Underfloor heating systems which have a supporting layer/board may be laid on top of the resilient layer.

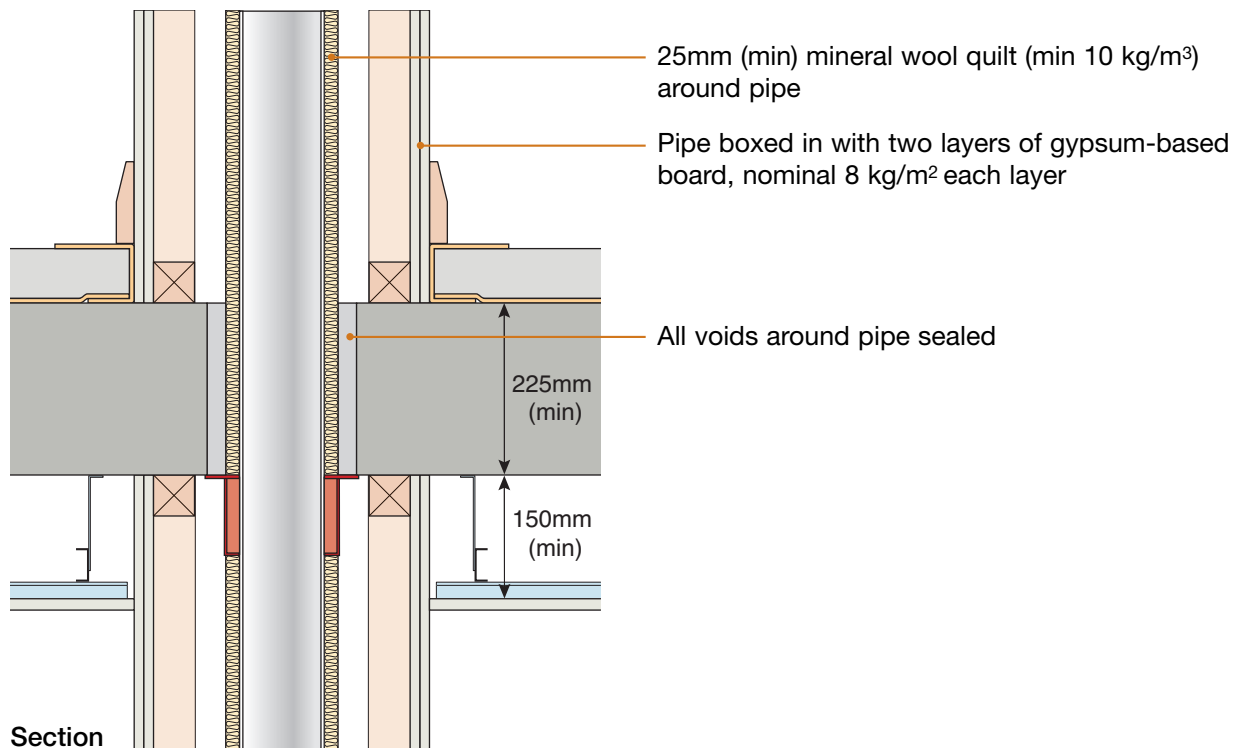
An insulation layer may be positioned on top of, or beneath, the resilient layer.

Appropriate screed depth cover to the heating system must be designed for – contact underfloor heating manufacturer for guidance.

A bonded resilient floor covering can be applied to the top of the screed instead of the under-screed resilient layer shown here. Refer to section 8.



## 11. Services – service pipes through separating floor





# Appendix A2 – Proprietary Flanking Conditions

---

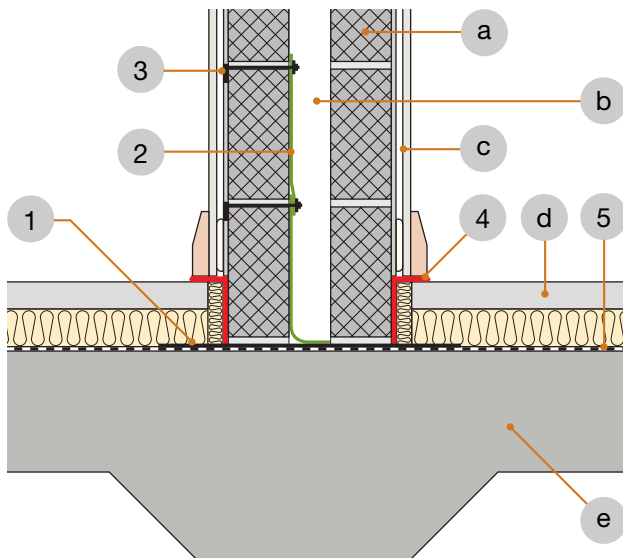
## Contents

Section	Page
Icopal-MONARFLOOR® BRIDGESTOP® System for <b>robustdetails</b> ® cavity masonry walls	2
Smartroof complete Interlocking “room-in-roof” panel system using <b>robustdetails</b> ® timber or masonry cavity walls	3
Kingspan TEK inner leaf flanking condition for <b>robustdetails</b> ® timber separating walls	4
Prestoplan PresPeak 60 interlocking single spandrel panel system for <b>robustdetails</b> ® timber separating walls	5
Icopal-MONARFLOOR® Wall Cap RDA2 System for <b>robustdetails</b> ® separating floors with cavity flanking walls	6
RoofSpace I-Roof™ “room-in-roof” panel system using <b>robustdetails</b> ® timber or masonry cavity walls	7
Space4 “room-in-roof” panel system using <b>robustdetails</b> ® timber or masonry cavity walls	8
Stewart Milne Timber Systems Sigma® Roof Spandrel Panel System for <b>robustdetails</b> ® timber separating walls	

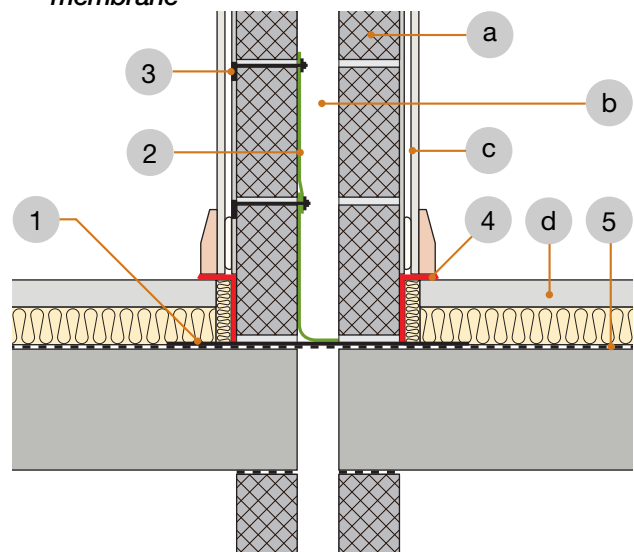
## Appendix A2 – Proprietary Flanking Conditions

Icopal-MONARFLOOR® BRIDGESTOP® System for robustdetails® cavity masonry walls.  
Refer to Table 6 in Introduction.

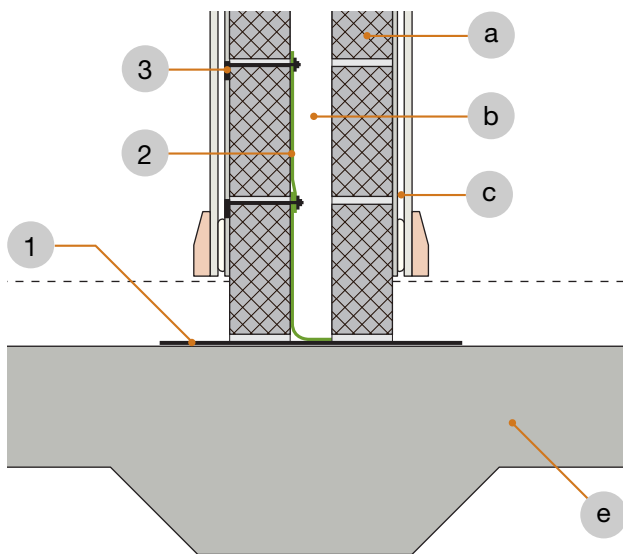
### 1. Separating wall – direct support on raft



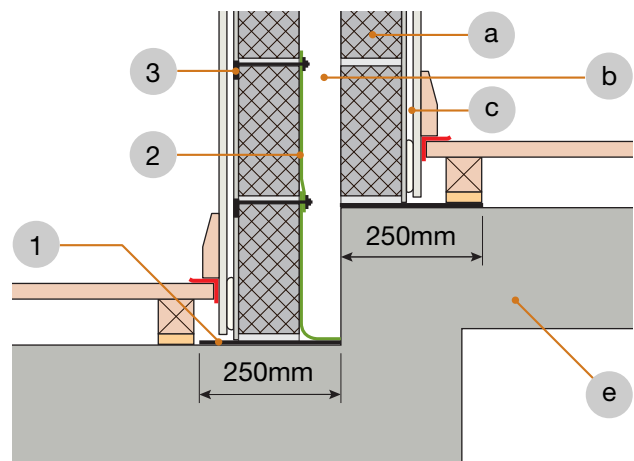
### 2. Separating wall – suspended floor with gas membrane



### 3. Insulated raft foundation



### 4. Stepped foundation



#### Key

- 1 500mm wide (or 250mm where shown) MONARFLOOR® BRIDGESTOP® 3mm HP Acoustic Membrane laid under the party wall over the dpm. This is an integral part of the system.
- 2 MONARFLOOR® BRIDGESTOP® Quilt in two lifts to prevent mortar droppings touching both masonry leaves.
- 3 MONARFLOOR® BRIDGESTOP® Tie to penetrate at max 450mm centres. Ties are reversible. May also be used as render depth marker.
- 4 MONARFLOOR® 6mm Acoustic Angled Flanking Strip to isolate screed/insulation from party wall and to isolate skirting board from screed.
- 5 Continuous dpm over the raft where ground gasses are an issue. Contact Icopal for specification.

- a Min 100mm block (with appropriate Type A wall ties) dependent on Robust Detail being used. Refer to Table 6a in the Introduction.
- b Min 75mm or 100mm cavity width dependent on Robust Detail being used.
- c Wall finish dependent on Robust Detail used.
- d Floating screed on insulation; or timber floating floor types FFT2 resilient cradle and batten, FFT3 resilient batten, or FFT4 deep platform system.
- e 150mm (min) thick insitu concrete 365kg/m<sup>2</sup> (min) mass per unit area or Insulslab SFRC.

Contact details for Icopal-MONARFLOOR®:

**Telephone: 0161 866 6540**

**Fax: 0161 865 8433**

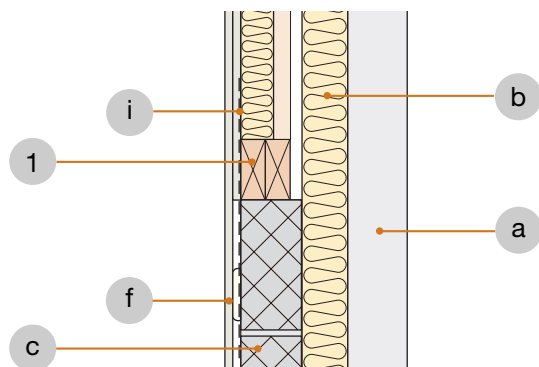
**E-mail: [acoustics.uk@icopal.com](mailto:acoustics.uk@icopal.com)**



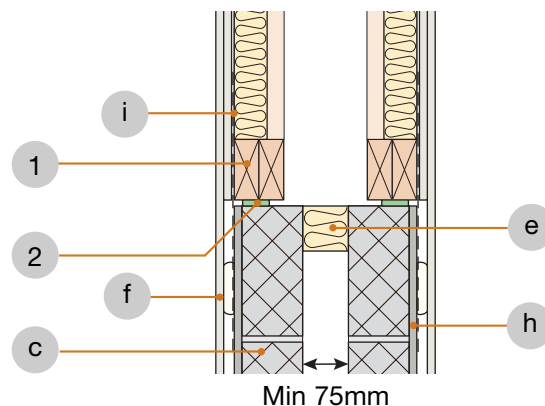
## Appendix A2 – Proprietary Flanking Conditions

Smartroof complete interlocking “room-in-roof” panel system using **robustdetails®** timber or masonry cavity walls. Refer to Table 6 in Introduction.

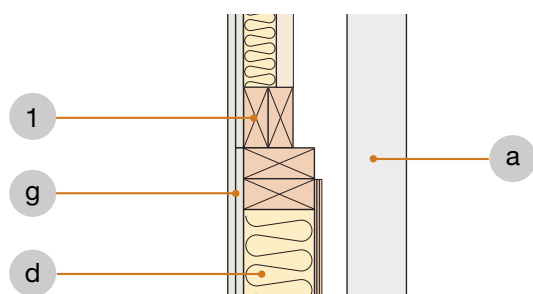
### 1. Gable flanking junction – masonry



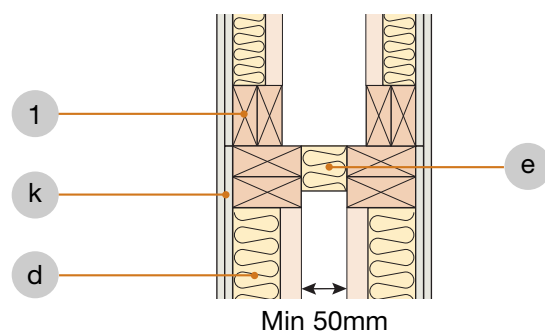
### 2. Room-in-roof junction with masonry cavity walls



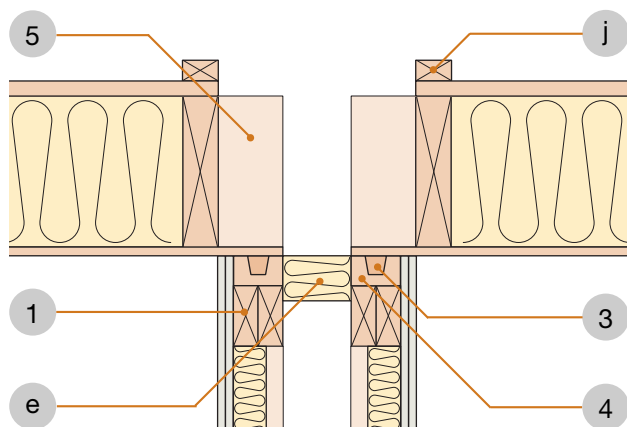
### 3. Gable flanking junction – timber frame



### 4. Room-in-roof junction with timber frame cavity walls



### 5. Separating wall – roof junction



#### Key

- 1 Smartroof panel.
- 2 Smartroof thin-joint compressed foam to take up unevenness in blockwork.
- 3 Smarttongue 35 x 72mm.
- 4 Smartchannel.
- 5 Smartroof roof panel.

- a Outer leaf of external wall.
- b Continue cavity batts up to gable end if required.
- c Minimum 100mm blockwork.
- d Timber frame inner leaf.
- e Cavity closer.
- f Gypsum-based board dependent on Robust Detail being used.
- g Gypsum-based board nominal 8 kg/m<sup>2</sup>. 2 layers required where separating floors are used (refer to **robustdetails®** separating floor).
- h Nominal 8mm render coat (refer to relevant **robustdetails®** separating wall).
- i Vertical metal straps at 1200mm centres if required.
- j 35 x 50mm counterbatten.
- k 2 layers gypsum-based board total nominal 22 kg/m<sup>2</sup>.

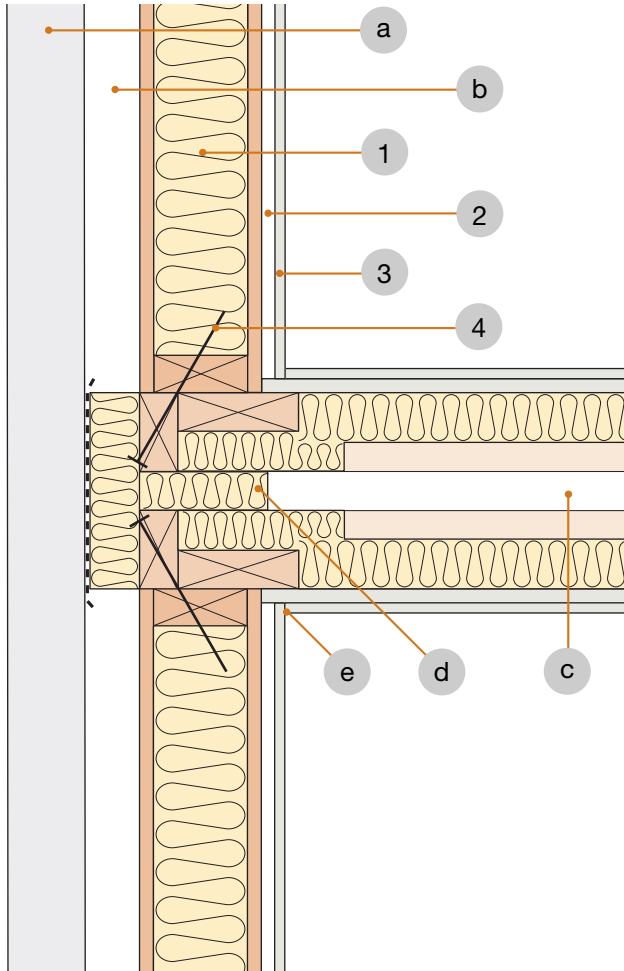
Contact details for smartroof Limited:

**Telephone: 01675 44 23 45**  
**Fax: 01675 44 30 95**  
**E-mail: [info@smartroof.co.uk](mailto:info@smartroof.co.uk)**  
**Web: [www.smartroof.co.uk](http://www.smartroof.co.uk)**

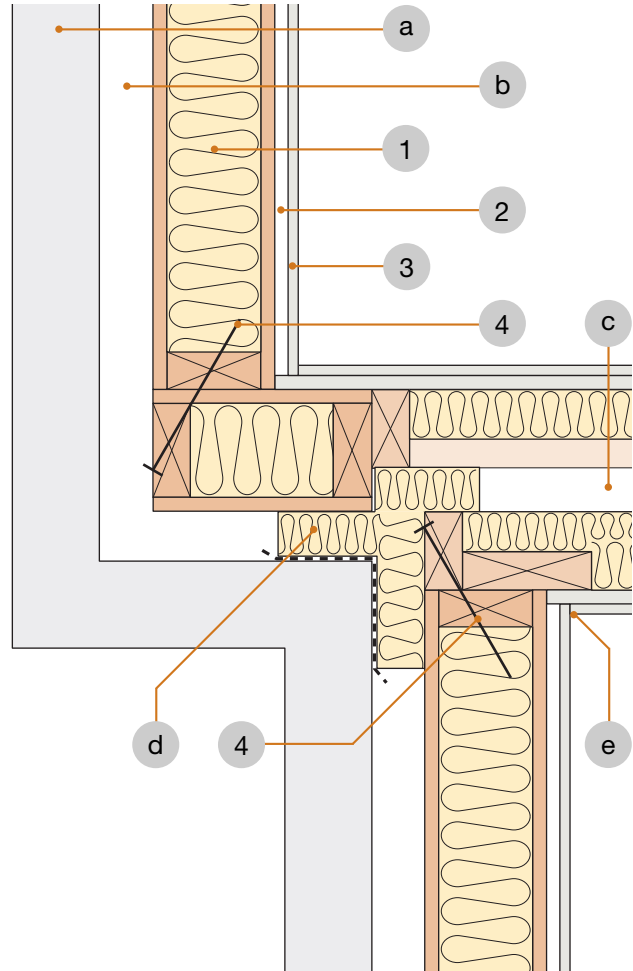
## Appendix A2 – Proprietary Flanking Conditions

Kingspan TEK inner leaf flanking condition for **robustdetails**<sup>®</sup> timber separating walls. Refer to Table 6 in Introduction. *Currently when used with separating floors in apartments, separating floors will require pre-completion testing.*

### 1. External (flanking) wall junction



### 2. Staggered external (flanking) wall junction



#### Key

- 1 Kingspan TEK – 142 Panel.
- 2 Service void (if required).
- 3 One layer of gypsum-based board nominal 8 kg/m<sup>2</sup> on inner leaf where there is no separating floor, e.g. for houses.  
Two layers of gypsum-based board nominal 8 kg/m<sup>2</sup> each on inner leaf where there is a separating floor (non-**robustdetails**<sup>®</sup> floor), e.g. for flats and apartments.
- 4 Approved fixings to TEK BBA Cert No. 02/S029.

- a Masonry outer leaf (min 100mm thick).
- b External wall cavity (min 50mm).
- c **robustdetails**<sup>®</sup> timber frame separating wall. (Refer to Table 6 in Introduction and relevant timber frame Robust Details in Handbook).
- d Close cavity with flexible cavity stop (see Appendix A).
- e Seal all joints with tape or caulk with sealant.

Contact details for Kingspan TEK,  
Kingspan Insulation Limited:

**Telephone: 01544 387382**

**Fax: 01544 387482**

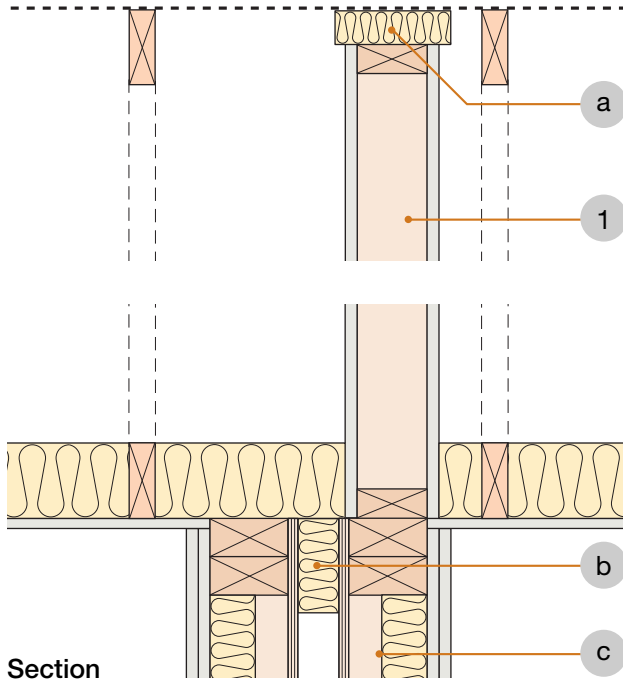
**E-mail: [technical.uk@tek.kingspan.com](mailto:technical.uk@tek.kingspan.com)**

**Web: [www.tek.kingspan.com](http://www.tek.kingspan.com)**

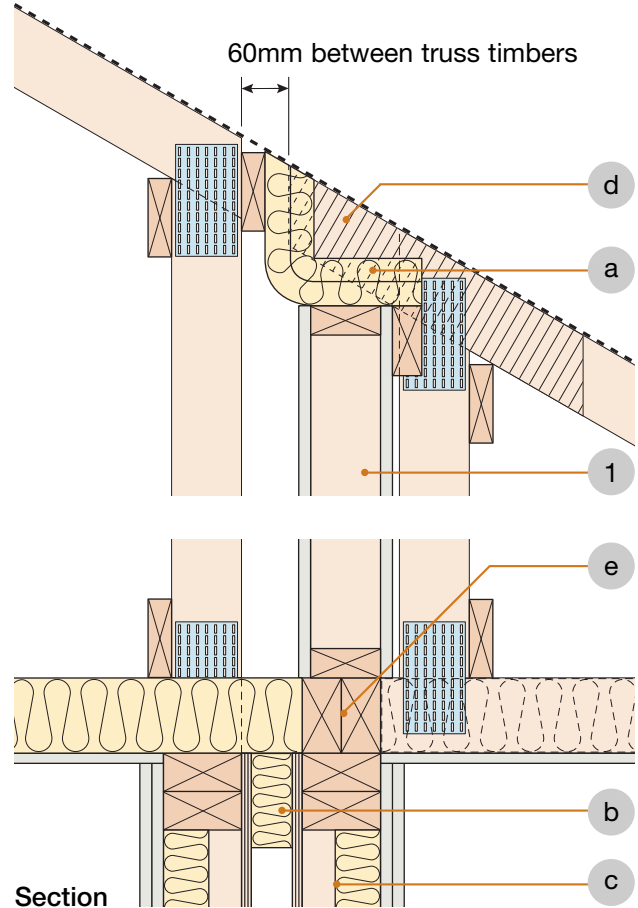
## Appendix A2 – Proprietary Flanking Conditions

Prestoplan PresPeak 60 interlocking single spandrel panel system for use on **robustdetails®** timber separating walls in non room-in-roof situations.  
Refer to Table 6 in Introduction.

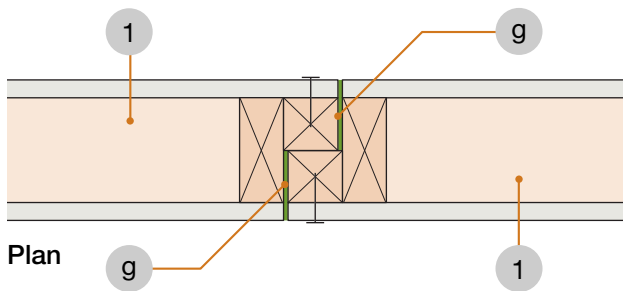
### 1. Spandrel panel located parallel to trussed rafters



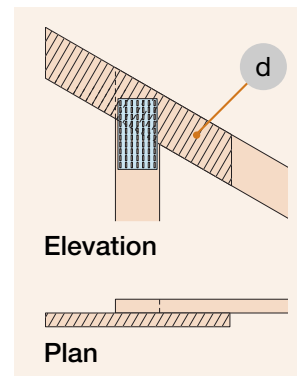
### 2. Spandrel panel located across trussed rafters



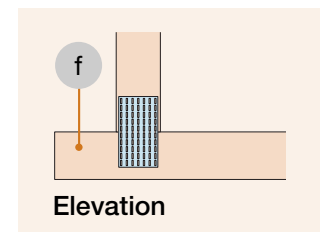
### 3. Spandrel panel joint detail



#### Top chord detail



#### Bottom chord detail



#### Key

- 1 PresPeak 60 spandrel panels.
- a Firestop wired mineral wool closer.
- b Flexible cavity stop.
- c Timber frame separating wall.
- d Site-fixed rafter extension.
- e Continuous blocking between bottom chords of trusses.
- f Bottom chord extended for support.
- g Intumescent tape.

Refer also to manufacturer's guidance

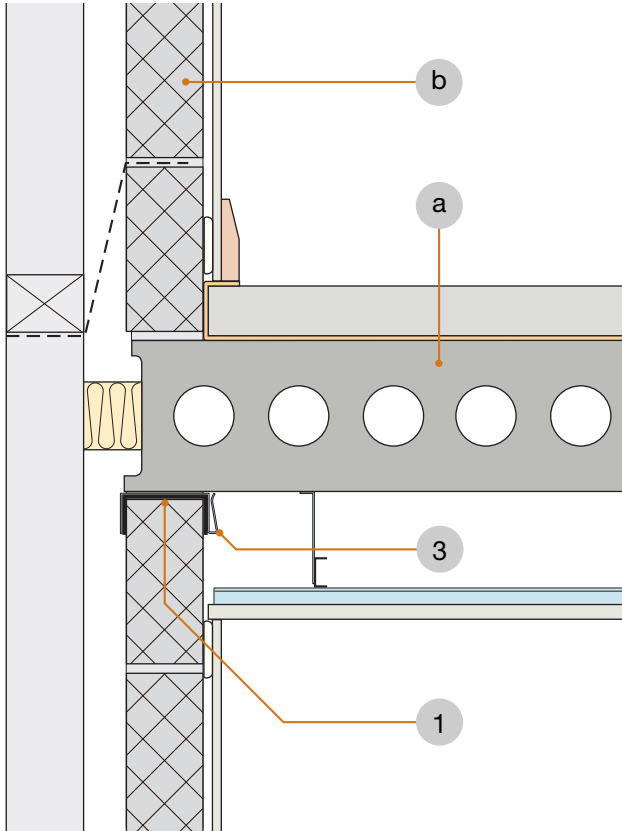
Contact details for Prestoplan Limited:

**Telephone: 01772 627373**  
**Fax: 01772 627575**  
**Web: [www.prestoplan.co.uk](http://www.prestoplan.co.uk)**

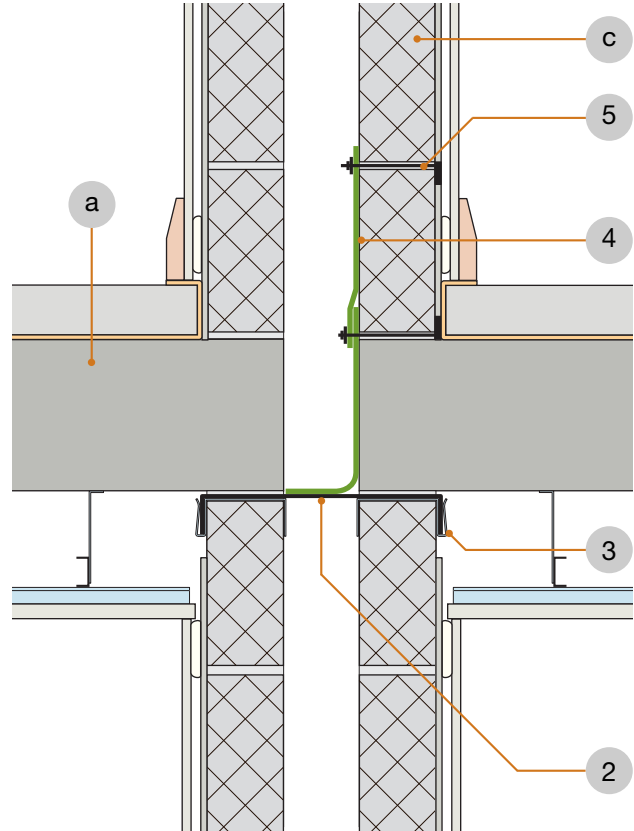
## Appendix A2 – Proprietary Flanking Conditions

Icopal-MONARFLOOR® Wall Cap RDA2 System for **robustdetails®** separating floors in conjunction with cavity walls. Refer to Table 6 in Introduction.

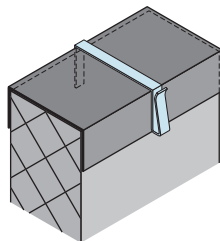
### 1. External (flanking) wall junction



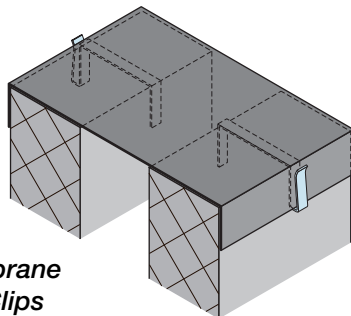
### 2. Separating wall junction



Wall Cap 200  
and Wall Cap Clip



Wall Cap RDA2 Membrane  
and Wall Cap RDA2 Clips



#### Key

- 1 3.5mm MONARFLOOR® Wall Cap 200 laid as continuous layer on external (flanking) wall.
  - 2 3.5mm MONARFLOOR® Wall Cap RDA2 Membrane laid as continuous layer on separating wall.
  - 3 Wall Cap RDA2 Clips.
  - 4 MONARFLOOR® RDA2 Quilt in two lifts to prevent mortar droppings touching both masonry leaves.
  - 5 MONARFLOOR® RDA2 Tie to penetrate at max 450mm centres. Ties are reversible and may also be used as render depth gauges.
- a **robustdetails®** separating floor. Refer to Table 6 in Introduction.
- b External (flanking) wall. Refer to floor Robust Detail for specification.
- c Separating wall. If using **robustdetails®** separating wall refer to Table 3a in Introduction.

When applying this system to forms of construction other than masonry, please refer to manufacturer's installation guides. Note: In these cases, not all components shown above may be required.

Contact details for Icopal-MONARFLOOR®:

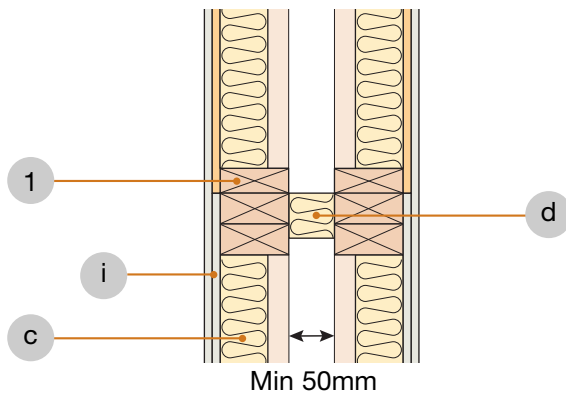
**Telephone: 0161 866 6540**  
**Fax: 0161 865 8433**  
**E-mail: [acoustics.uk@icopal.com](mailto:acoustics.uk@icopal.com)**

The trade marks MONARFLOOR and Wall Cap are the subject of UK trade mark registrations owned by Icopal Limited

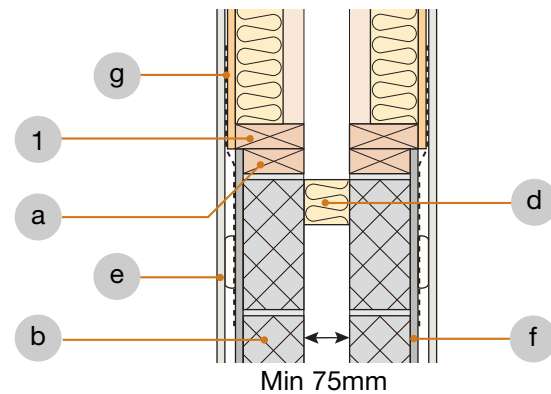
## Appendix A2 – Proprietary Flanking Conditions

RoofSpace I-Roof™ “room-in-roof” panel system using robustdetails® timber or masonry cavity walls. Refer to Table 6 in Introduction.

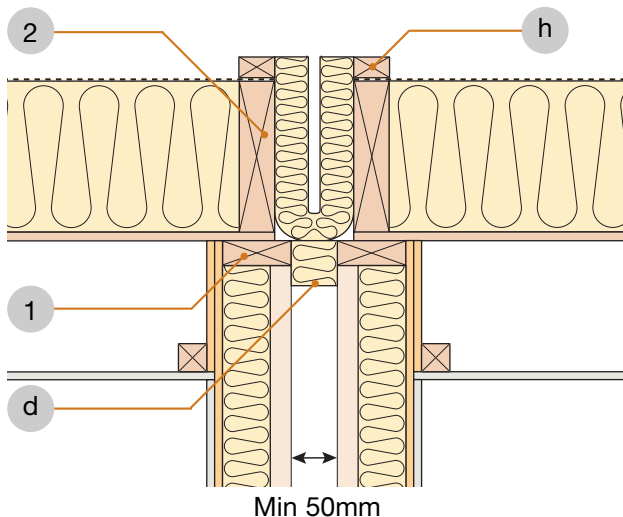
### 1. Room-in-roof junction with timber frame cavity walls



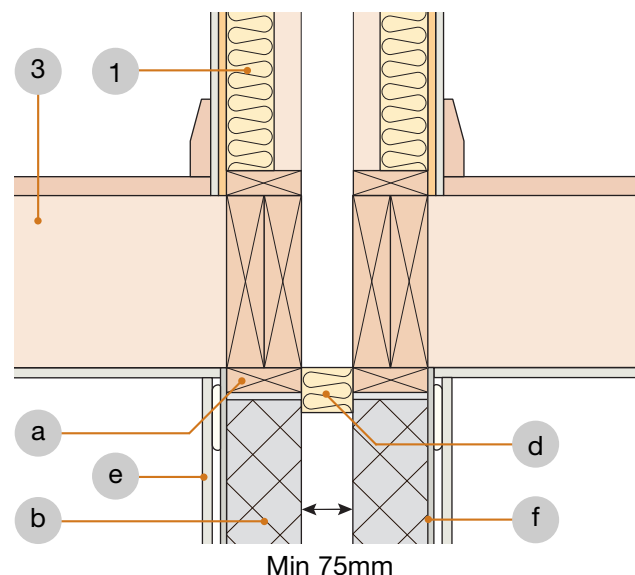
### 2. Room-in-roof junction with masonry cavity walls



### 3. Separating wall – roof junction



### 4. Internal floor cassette junction option



#### Key

- 1 RoofSpace I-Roof™ spandrel panel.
- 2 RoofSpace I-Roof™ roof panel.
- 3 RoofSpace internal floor cassette.
- a Timber wall plate bedded on 10mm mortar bed to take out unevenness in blockwork.
- b Minimum 100mm blockwork.
- c Timber frame separating wall leaf.
- d Cavity closer.
- e Gypsum-based board dependent on Robust Detail being used.
- f Nominal 8mm render coat (refer to relevant robustdetails® separating wall).
- g Vertical metal straps at 1200mm centres if required.
- h 25 x 38mm counterbatten.
- i 2 layers gypsum-based board total nominal 22 kg/m<sup>2</sup>.

#### Spandrel panel cavity insulation (optional)

The cavity between the spandrel panels may be insulated with mineral wool rolls or batts with a density of 18-40 kg/m<sup>3</sup>. Ensure insulation thickness is no greater than 10mm wider than cavity width to avoid excessive compression of the insulation.

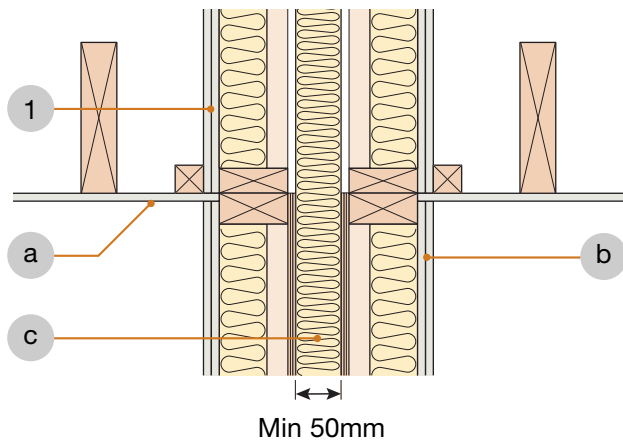
Contact details for SIG RoofSpace:

**Telephone: 01789 209 006**  
**Fax: 01789 292 858**  
**E-mail: [technical@sigroofspace.co.uk](mailto:technical@sigroofspace.co.uk)**  
**Web: [www.sigroofspace.co.uk](http://www.sigroofspace.co.uk)**

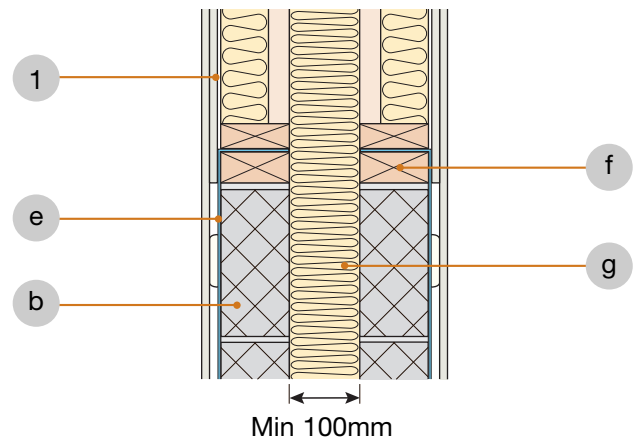
## Appendix A2 – Proprietary Flanking Conditions

Space4 “room-in-roof” panel system using **robustdetails**<sup>®</sup> timber or masonry cavity walls. Refer to Table 6 in Introduction.

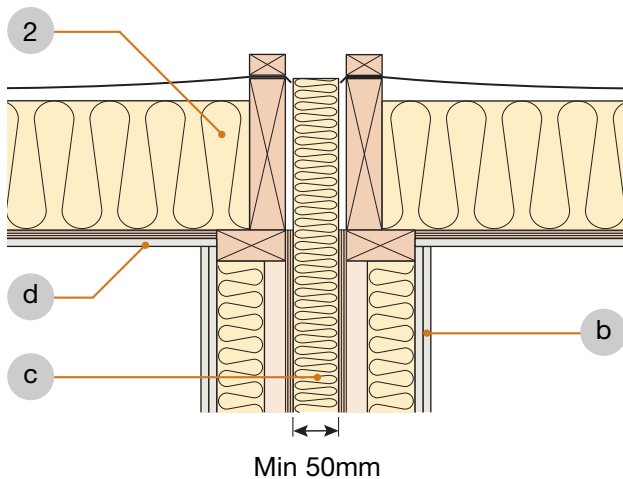
### 1. Non room-in-roof spandrel panel to timber separating wall junction



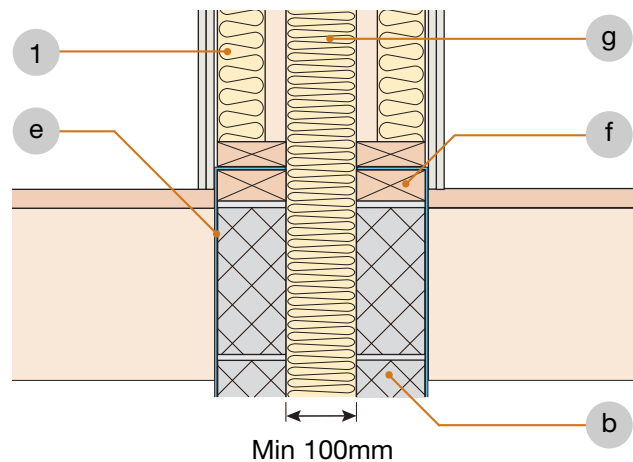
### 2. Spandrel panel to masonry separating wall junction



### 3. Roof cassette to timber separating wall junction for room-in-roof



### 4. Internal floor junction for room-in-roof



#### Key

1 Space4 spandrel panel.

2 Space4 roof cassette.

a Minimum 1 layer nominal 8 kg/m<sup>2</sup> gypsum-based board to ceiling.

b **robustdetails**<sup>®</sup> separating wall.

c Mineral wool 18-40 kg/m<sup>3</sup>.

d OSB underdraw overlaid with minimum 1 layer nominal 15 kg/m<sup>2</sup> gypsum-based board to ceiling.

e Vertical metal straps at 1200mm centres if required.

f Wall plate fully bedded on mortar with no gaps.

g Mineral wool 12-25 kg/m<sup>3</sup>.

Contact details for Space4:

**Telephone: 0121 748 8383**

**Fax: 0121 776 7369**

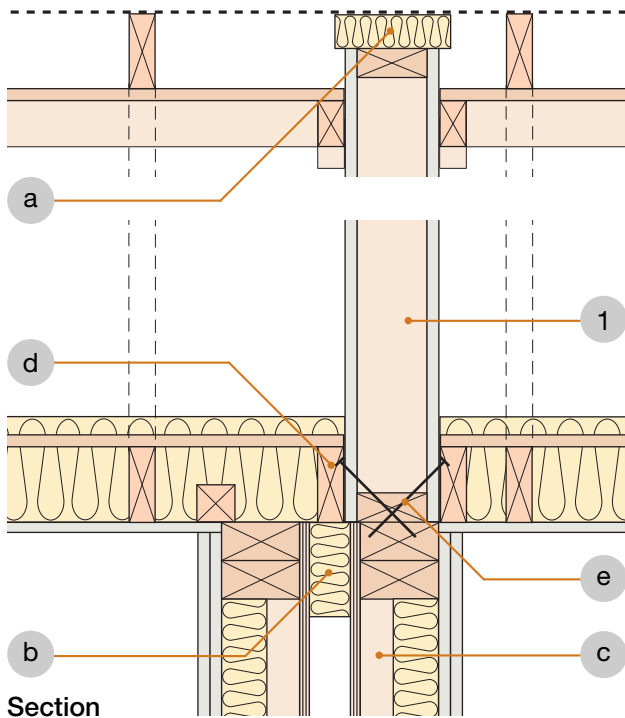
**E-mail: [technical@space4.co.uk](mailto:technical@space4.co.uk)**

**Web: [www.space4.co.uk](http://www.space4.co.uk)**

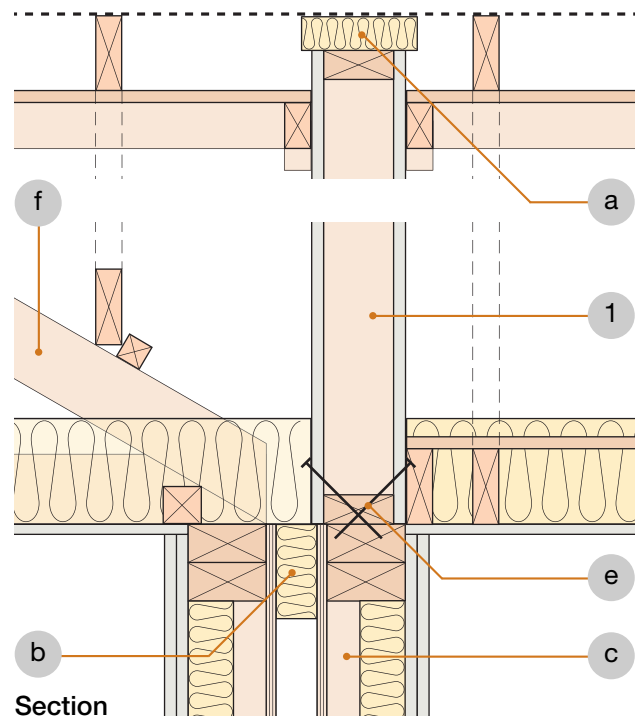
## Appendix A2 – Proprietary Flanking Conditions

Stewart Milne Timber Systems Sigma® Roof Spandrel Panel System for use on **robustdetails®** timber separating walls in non room-in-roof situations.  
Refer to Table 6 in Introduction.

### 1. Spandrel panel located parallel to trussed rafters

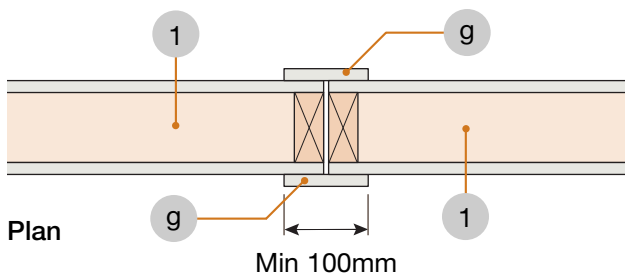


### 2. Spandrel panel located across trussed rafters



### 3. Spandrel panel joint detail

Panels secured together using angled screw fixings



#### Key

- 1 Stewart Milne Timber Systems Sigma® Roof Spandrel Panel System.
- a Mineral wool closer.
- b Flexible cavity stop.
- c Timber frame separating wall.
- d Site-fixed runners must not contact both wall leaves.
- e Angled screw fixings to secure spandrel to wall head.
- f Trusses and rafters must not contact both wall leaves.
- g Gypsum board cover strip.

Refer also to manufacturer's guidance

Contact details for  
Stewart Milne Timber Systems Limited:

**Telephone: 01865 303900**  
**Fax: 01865 303999**  
**Email: [smts@stewartmilne.com](mailto:smts@stewartmilne.com)**  
**Web: [www.stewartmilne.com](http://www.stewartmilne.com)**